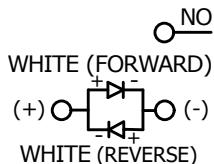
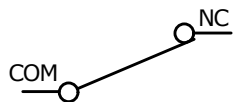
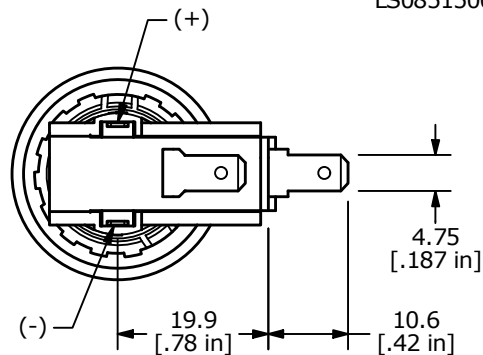
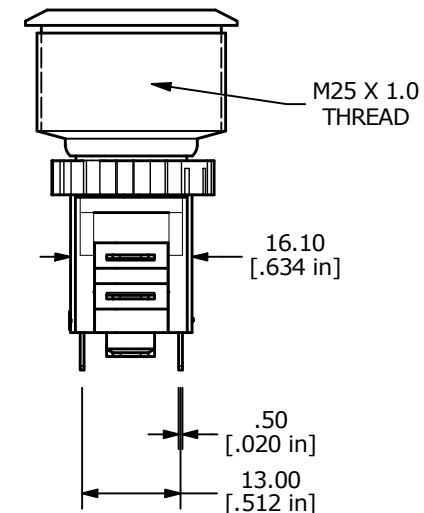
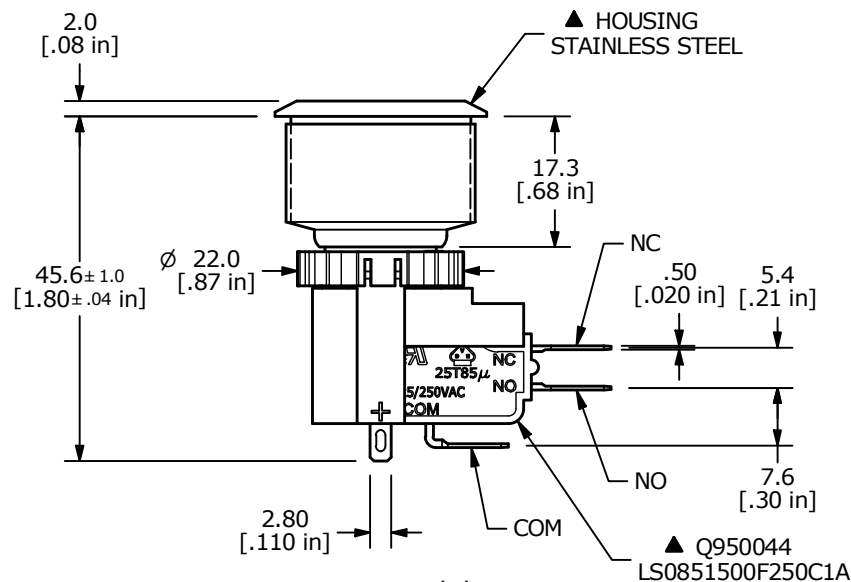
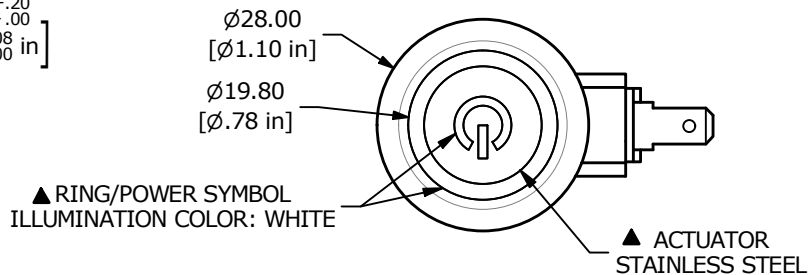


RECOMMENDED PANEL CUTOUT
 PANEL THICKNESS 1-10mm



▲ SCHEMATIC
 ON-ON
 SPDT ILLUMINATED



NOTES:

1. ALL DIMENSIONS IN MM [INCH]
2. GENERAL TOLERANCE: X.X = ±0.4
 X.XX = ±0.25
3. RATING: 15A @125/250VAC
4. OPERATING FORCE: 3.5 ±1.5N
5. OPERATING TEMP: -25°C to 85°C
6. ELECTRICAL LIFE: 10,000 CYCLES MIN.
7. MECHANICAL LIFE: 1,000,000 CYCLES TYP.
8. INSULATION RESISTANCE: 100 MEGA-OHMS MIN.
9. DIELECTRIC STRENGTH: 1500VAC 1 MINUTE (INITIAL VALUE)
10. CONTACT RESISTANCE: 100 MILLI-OHMS MAX.
11. ▲ DENOTES CRITICAL PARAMETER.
- ▲ 12. LAMP VOLTAGE: 3V
13. TRAVEL: 3.2mm
14. HEX NUT TORQUE: 1-3Nm
15. INGRESS PROTECTION: IP67
- ▲ 16. HARDWARE SUPPLIED: O-RING AND HEXNUT

REV	ECO NO	DESCRIPTION	DATE	BY	E-SWITCH®			OBJECT ID	
A	ECO-101549	RELEASE	01/11/23	JS	TITLE SAV8F13SS601			100123408	
								SCALE 1:1	DATE 1/5/2023