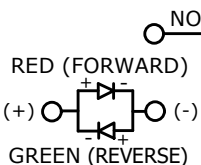
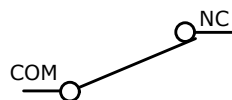


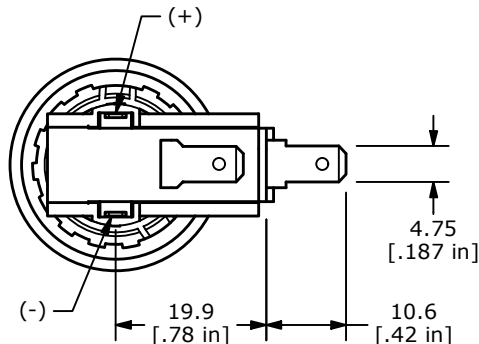
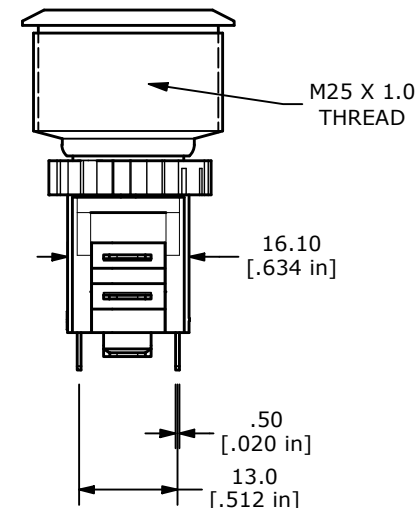
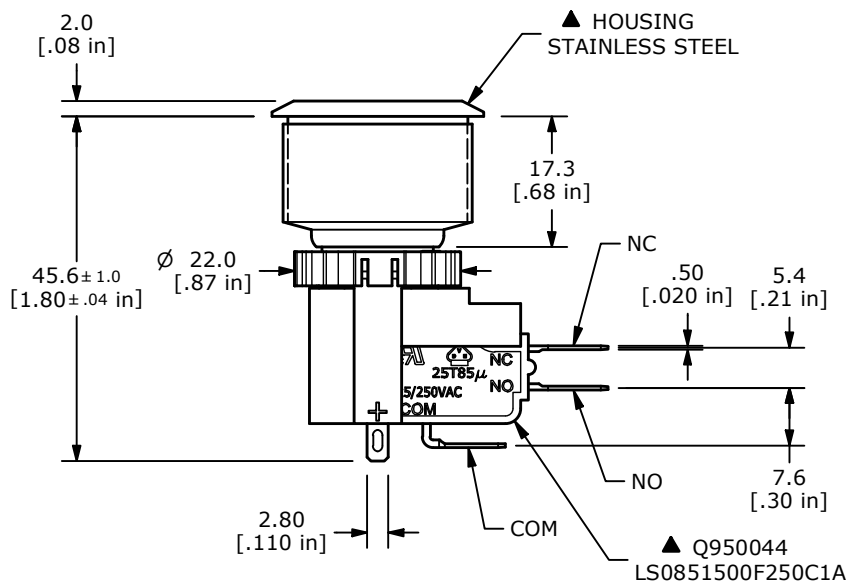
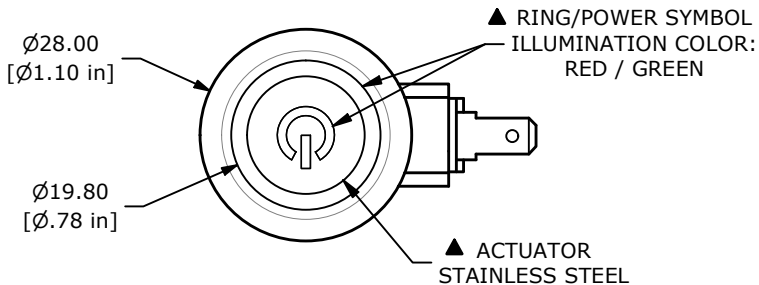
RECOMMENDED PANEL CUTOUT  
PANEL THICKNESS 1-10mm



▲ SCHEMATIC  
ON-ON  
SPDT ILLUMINATED

NOTES:

1. ALL DIMENSIONS IN MM [INCH]
2. GENERAL TOLERANCE: X.X = ±0.4  
X.XX = ±0.25
3. RATING: 15A @125/250VAC
4. OPERATING FORCE: 3.5 ±1.5N
5. OPERATING TEMP: -25°C to 85°C
6. ELECTRICAL LIFE: 10,000 CYCLES MIN.
7. MECHANICAL LIFE: 1,000,000 CYCLES TYP.
8. INSULATION RESISTANCE: 100 MEGA-OHMS MIN.
9. DIELECTRIC STRENGTH: 1500VAC 1 MINUTE (INITIAL VALUE)
10. CONTACT RESISTANCE: 100 MILLI-OHMS MAX.
11. ▲ DENOTES CRITICAL PARAMETER.
- ▲ 12. LAMP VOLTAGE: 110V
13. TRAVEL: 3.2mm
14. HEX NUT TORQUE: 1-3Nm
15. INGRESS PROTECTION: IP67
- ▲ 16. HARDWARE SUPPLIED: O-RING AND HEXNUT



REV	ECO NO	DESCRIPTION	DATE	BY
A	ECO-103436	Release	05/21/25	MW



OBJECT ID  
100130354

TITLE SAV8F13SS6G6				
SCALE 1:1	DATE 5/20/2025	DR MW	DWG T958016	REV A