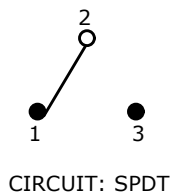
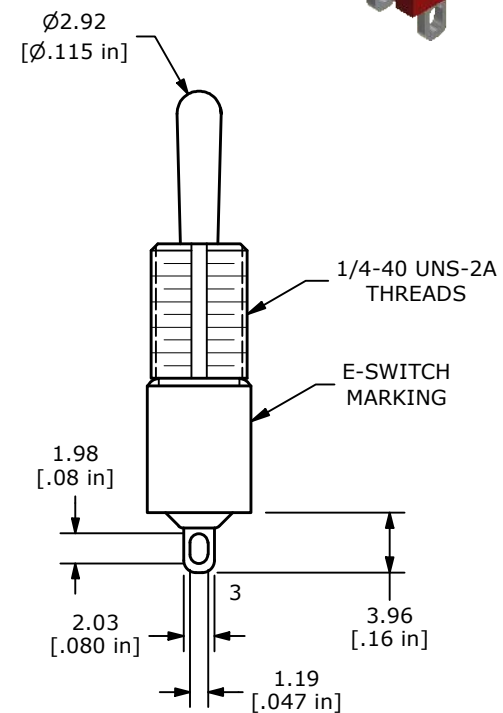
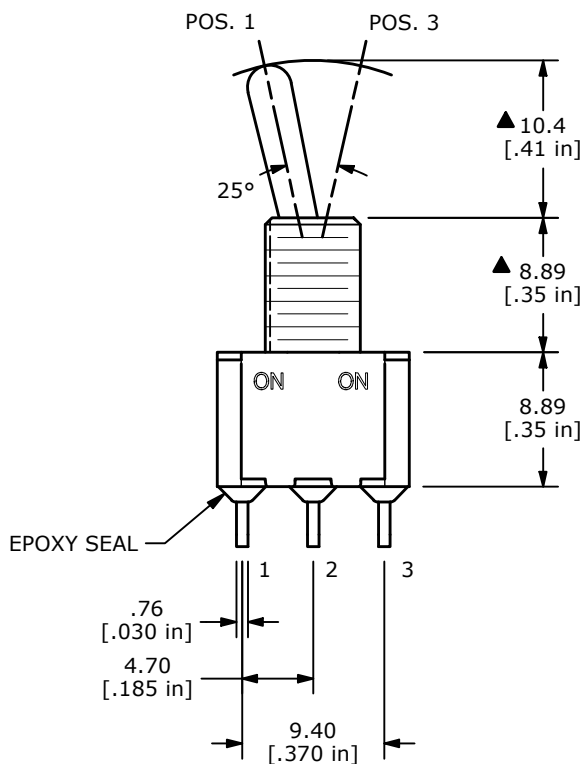


| ▲ SWITCH FUNCTION | | |
|-------------------|--------|--------|
| POS. 1 | POS. 2 | POS. 3 |
| | | |
| ON | NONE | ON |
| 2-3 | N/A | 2-1 |



NOTE:

- ALL DIMENSIONS IN MM [INCH]
- GENERAL TOLERANCE: X.X = ±0.4
X.XX = ±0.25
- TERMINAL NUMBERS FOR REF ONLY
- ▲ CONTACT MATERIAL: SILVER
- RATING: 2A @ 250 VAC
5A @ 120 VAC OR 28 VDC
- ELECTRIC LIFE: 40,000 MAKE-AND-BREAK CYCLES AT FULL LOAD.
- INSULATION RESISTANCE: 1,000 MEGA-OHM MIN.
- DIELECTRIC STRENGTH: 1,000 V RMS @ SEA LEVEL
- OPERATING TEMP.: -40°C TO 85°C
- ▲ DENOTES CRITICAL PARAMETER.
- HARDWARE TO BE SHIPPED BULK
T100011 - LOCK WASHER - QTY 1
T100015 - LOCK RING - QTY 1
T100000 - HEX NUT - QTY 2



| REV | ECO NO | DESCRIPTION | DATE | BY |
|-----|------------|-------------------|----------|----|
| E | ECO-101718 | 100 SERIES UPDATE | 03/27/23 | MR |
| | | | | |



OBJECT ID
000022890

| | | | | |
|------------------------|-----------------|-------|--------------|-------|
| TITLE 100SP1T1B1M1QE H | | | | |
| SCALE 2:1 | DATE 12/28/2006 | DR TN | DWG ST110007 | REV E |