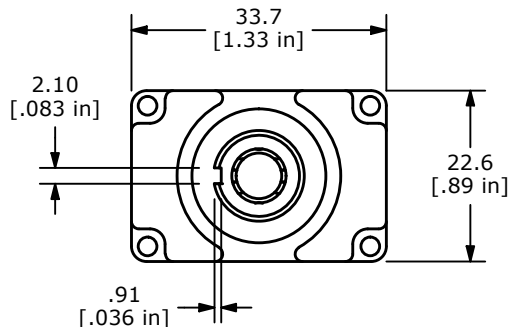


RECOMMENDED PANEL CUT-OUTS

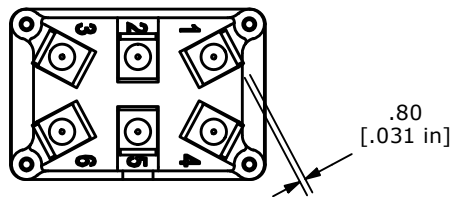
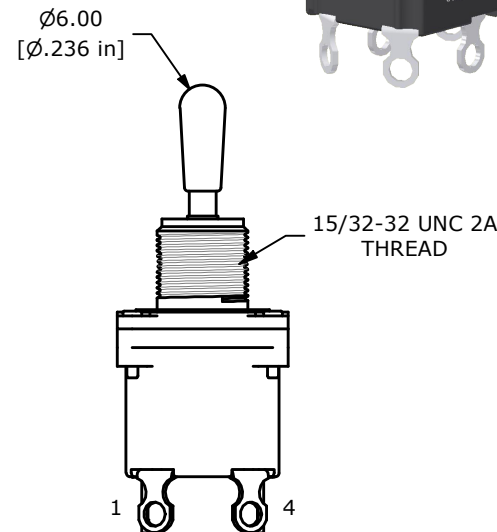
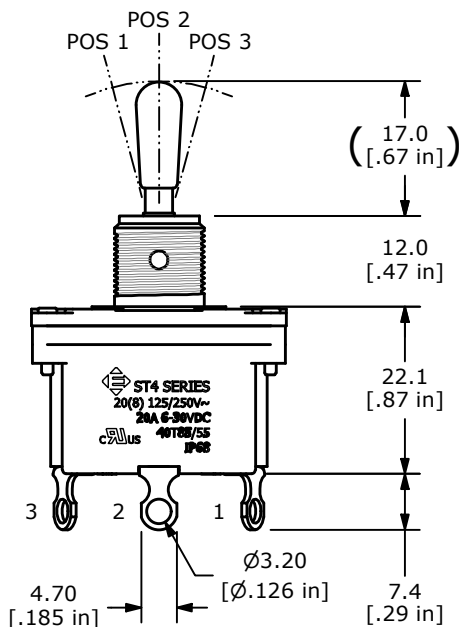


SWITCH FUNCTION		
POS. 1	POS. 2	POS. 3
(ON)	OFF	(ON)
(1-2), (4-5)	OPEN	(2-3), (5-6)

(ON) = MOMENTARY

NOTES:

- ALL DIMENSIONS IN MM [INCH]
- GENERAL TOLERANCE: X.X = ±0.4
X.XX = ±0.25
- TERM. NUMBERS FOR REF. ONLY
- RATING: 20(8)A 125/250V 40T85/55
20A 6-30VDC 40T85/55
- ELECTRICAL LIFE: 10,000 CYCLES
- CONTACT RESISTANCE: <20 MILLI-OHMS INITIAL
- DIELECTRIC STRENGTH: >1,500V AC 1MIN
- INSULATION RESISTANCE: >100MOHMS
- OPERATING TEMP: -40°C to 85°C
- INGRESS PROTECTION: IP68
- ▲ DENOTES CRITICAL PARAMETER.
- SUPPLIED HARDWARE: LOCK WASHER and TWO HEXNUTS



REV	ECO NO	DESCRIPTION	DATE	BY
A	ECO-103442	RELEASE	06/02/25	JS



OBJECT ID
100130364

TITLE		ST4DP109T1S1		
SCALE	DATE	DR	DWG	REV
1:1	5/22/2025	JS	14-ST4DP109T1S1	A

THE INFORMATION CONTAINED IN THIS DOCUMENT IS PROPRIETARY TO E-SWITCH AND IS NOT TO BE COPIED OR TRANSFERRED