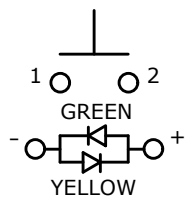
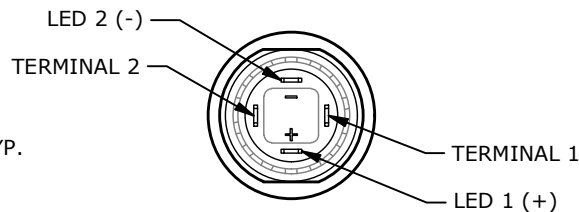
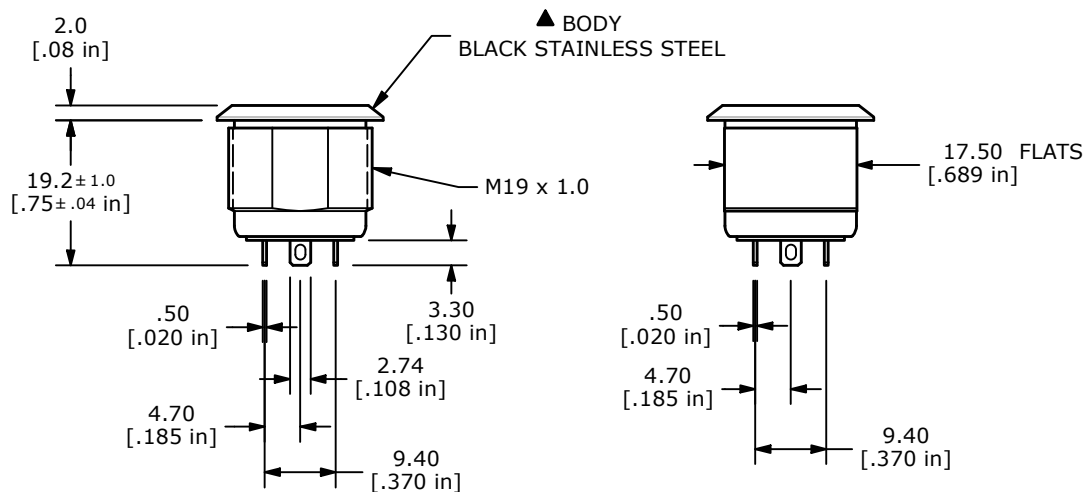
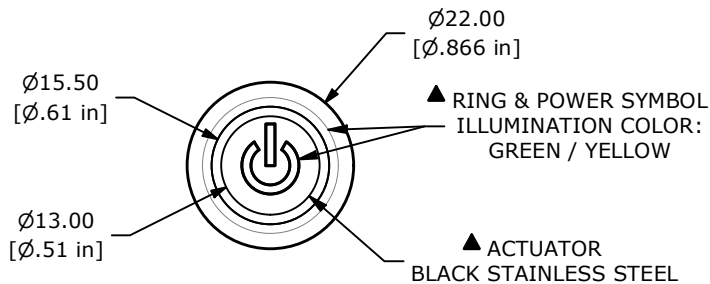


RECOMMENDED PANEL CUTOUT
MAX. PANEL THICKNESS 1-6mm



SCHMATIC
SPST - OFF-(ON)
() DENOTES MOMENTARY

- NOTE:
- ALL DIMENSIONS IN MM [INCH]
 - GENERAL TOLERANCE: X.X = ±0.4
X.XX = ±0.25
 - TERMINAL NUMBERS FOR REF ONLY
 - CONTACTS: BRASS, COIN SILVER, GOLD FLASH
 - TERMINALS: GOLD FLASH PLATED
 - RATING: 2A 36 VDC
 - ELECTRIC LIFE: 200,000 CYCLES
 - DIELECTRIC STRENGTH: 2,000 VAC MIN. FOR 1 MINUTE
 - CONTACT RESISTANCE: 50mΩ MAX. @ 1A 12VDC
 - OPERATING TEMP.: -20°C to 70°C
 - ▲ DENOTES CRITICAL PARAMETER.
 - LAMP VOLTAGE: RED 20mA 2.0V TYP., GREEN 20mA 3.1V TYP.
 - TRAVEL: 1.80mm
 - ACTUATION FORCE: 4.5 ± 1.5 N
 - MOUNTING NUT TORQUE: 1-3 Nm
 - INGRESS PROTECTION: IP67, IK10
 - HARDWARE SUPPLIED: O-RING AND HEXNUT



REV	ECO NO	DESCRIPTION	DATE	BY	E-SWITCH®			OBJECT ID	
B	ECO-103628	SV4 SERIES UPDATE	09/05/25	MR	TITLE SV4F23SS-6P1			100129024	
THE INFORMATION CONTAINED IN THIS DOCUMENT IS PROPRIETARY TO E-SWITCH AND IS NOT TO BE COPIED OR TRANSFERRED					SCALE	DATE	DR	DWG	REV
					1:1	12/3/2024	JS	T840015	B