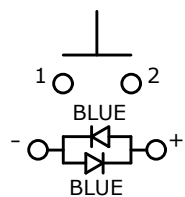
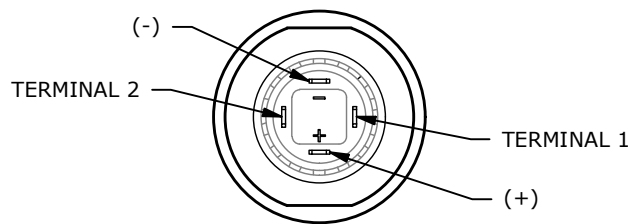
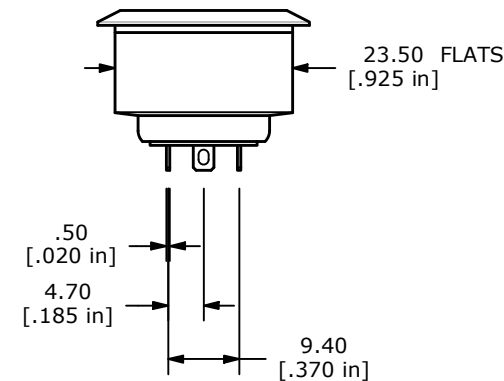
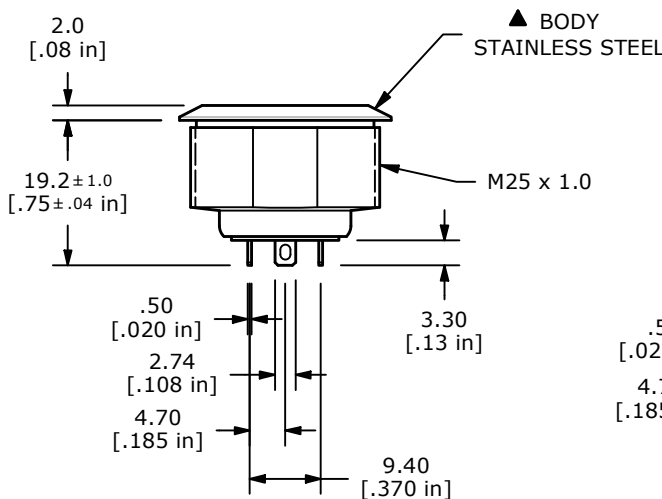
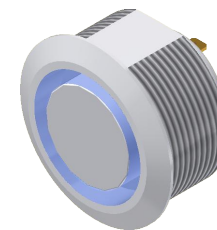
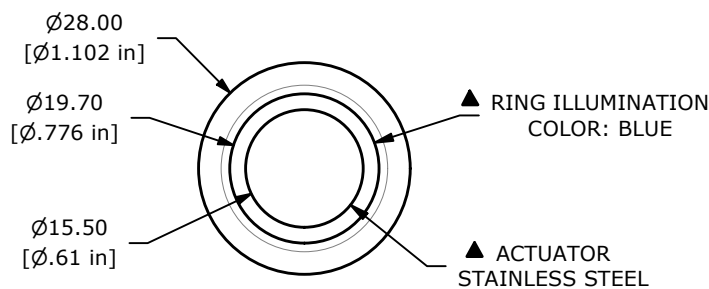


RECOMMENDED PANEL CUTOUT
 MAX. PANEL THICKNESS 1-6mm



SCHEMATIC
 SPST - OFF-(ON)
 () DENOTES MOMENTARY



- NOTE:
1. ALL DIMENSIONS IN MM [INCH]
 2. GENERAL TOLERANCE: X.X = ± 0.4
 X.XX = ± 0.25
 3. TERMINAL NUMBERS FOR REF ONLY
 4. CONTACTS: BRASS, COIN SILVER, GOLD FLASH
 5. TERMINALS: GOLD FLASH PLATED
 6. RATING: 2A 36 VDC
 7. ELECTRIC LIFE: 200,000 CYCLES
 8. DIELECTRIC STRENGTH: 2,000 VAC MIN. FOR 1 MINUTE
 9. CONTACT RESISTANCE: 50m Ω MAX. @ 1A 12VDC
 10. OPERATING TEMP.: -20°C to 70°C
 11. ▲ DENOTES CRITICAL PARAMETER.
 - ▲ 12. LAMP VOLTAGE: 20mA 3.1V typ.
 13. TRAVEL: 1.80mm
 14. ACTUATION FORCE: 4.5 \pm 1.5 N
 15. MOUNTING NUT TORQUE: 1-3 Nm
 16. INGRESS PROTECTION: IP67, IK10
 17. HARDWARE SUPPLIED: O-RING AND HEXNUT

| REV | ECO NO | DESCRIPTION | DATE | BY | E-SWITCH® | | | OBJECT ID | |
|-----|------------|-------------------|----------|----|--------------------|----------------|-------|-------------|-------|
| C | ECO-103602 | SV8 SERIES UPDATE | 09/03/25 | MR | | | | 000025998 | |
| | | | | | TITLE SV8F23SS-341 | | | | |
| | | | | | SCALE 1:1 | DATE 2/10/2021 | DR MW | DWG T880003 | REV C |