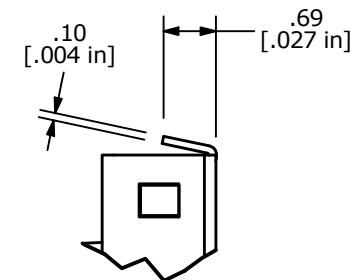
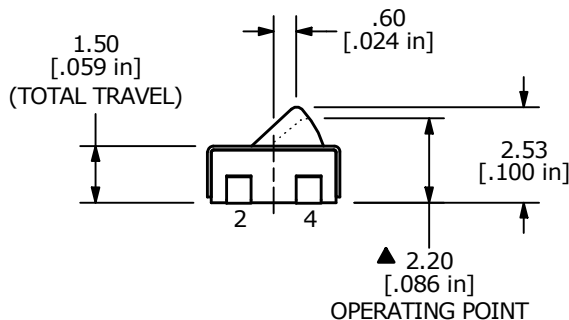
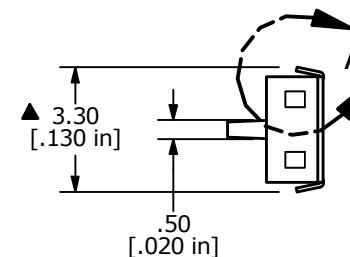
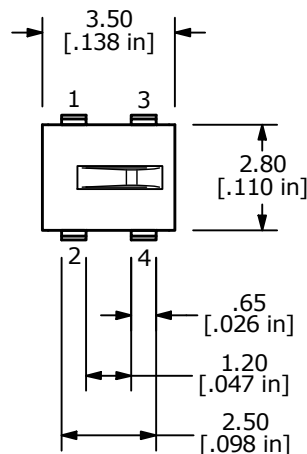


▲ SCHEMATIC
N.O.



DETAIL A
SCALE 10 : 1

NOTES:

1. ALL DIMENSIONS IN MM
2. GENERAL TOLERANCE: X.X = ±0.4
X.XX = ±0.25
3. TERM. NUMBERS FOR REFERENCE ONLY.
4. RATING: 1mA @ 5VDC
5. OPERATING POINT = 2.20 mm
6. OPERATING FORCE: ≤ 50 gf
7. CONTACT RESISTANCE: 2Ω MAX. (INITIAL)
8. ELECTRICAL LIFE: 100,000 min.
9. INSULATION RESISTANCE: 100MΩ MIN @ 100VDC
10. OPERATING TEMPERATURE: -40°C to 85°C
11. DIELECTRIC STRENGTH: 100 VAC FOR 1 MINUTE
12. PACKAGING: 2,600 PER REEL
13. ▲ DENOTES CRITICAL PARAMETER

REV	ECO NO	DESCRIPTION	DATE	BY	E-SWITCH®			OBJECT ID	
D	ECO-100894	update O.T. to -40C to 85C	04/13/22	MW	TITLE TD4700AQ			000017042	
THE INFORMATION CONTAINED IN THIS DOCUMENT IS PROPRIETARY TO E-SWITCH AND IS NOT TO BE COPIED OR TRANSFERRED					SCALE	DATE	DR	DWG	REV
					5:1	9/27/2013	rc	N470000	D