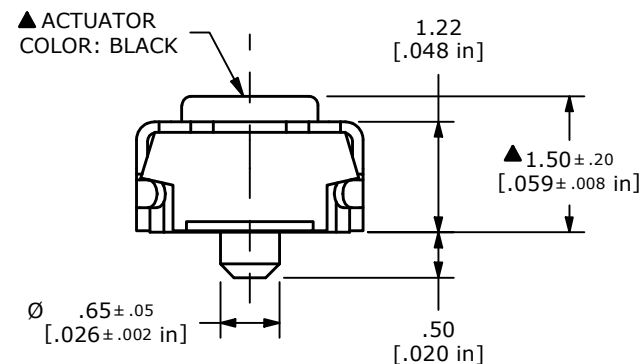
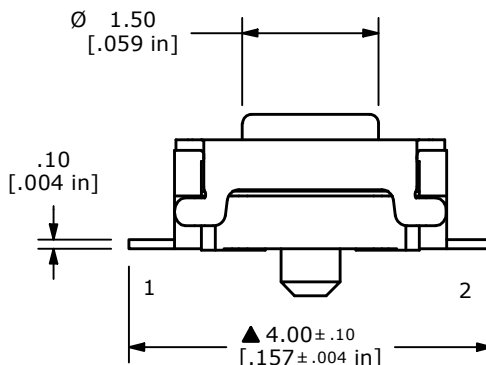


NOTES:

1. ALL DIMENSIONS IN MM
2. GENERAL TOLERANCE: X.X=±0.4  
X.XX=±0.2
3. TERMINAL NUMBERS. FOR REFERENCE ONLY.
4. RATING: 50mA, 12VDC
- ▲ 5. OPERATING FORCE: 160 ± 50gf
6. TRAVEL: 0.15mm ± 0.1
7. CONTACT RESISTANCE: 100mΩ MAX.
- ▲ 8. CONTACT MATERIAL: SILVER
9. DIELECTRIC STRENGTH: 250VAC FOR 1 MIN
10. INSULATION RESISTANCE: 100MΩ @ 100VDC
11. MECHANICAL/ELECTRICAL LIFE 200,000 CYCLES MIN.
12. ▲ DENOTES CRITICAL PARAMETER
13. OPERATING TEMPATURE: -25C to +70C
14. PACKING: TAPE & REEL



| REV | ECO NO     | DESCRIPTION                           | DATE     | BY |
|-----|------------|---------------------------------------|----------|----|
| C   | ECO-102134 | NOTE 14 REMOVED QUANTITY PER REEL     | 08/09/23 | JS |
| B   | ECO-101673 | PACKING NOTE 4,000 PCS/REEL WAS 3,000 | 02/16/23 | JS |
| A   | ECO-101568 | RELEASE                               | 02/06/23 | JS |



OBJECT ID  
100123458

|                       |  |            |                |       |             |       |
|-----------------------|--|------------|----------------|-------|-------------|-------|
| TITLE TL1017ABAF160QG |  | SCALE 12:1 | DATE 1/13/2023 | DR JS | DWG P620005 | REV C |
|-----------------------|--|------------|----------------|-------|-------------|-------|