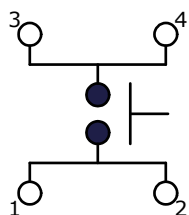


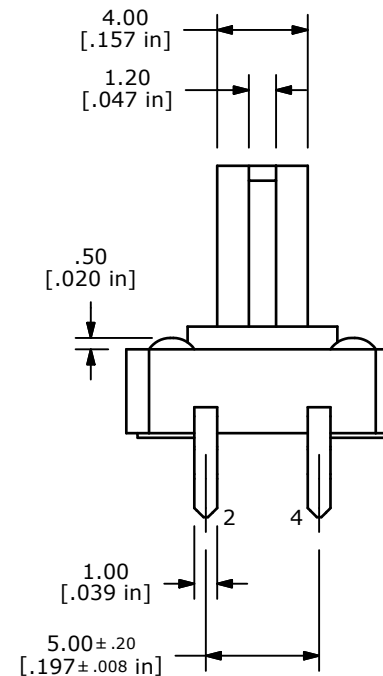
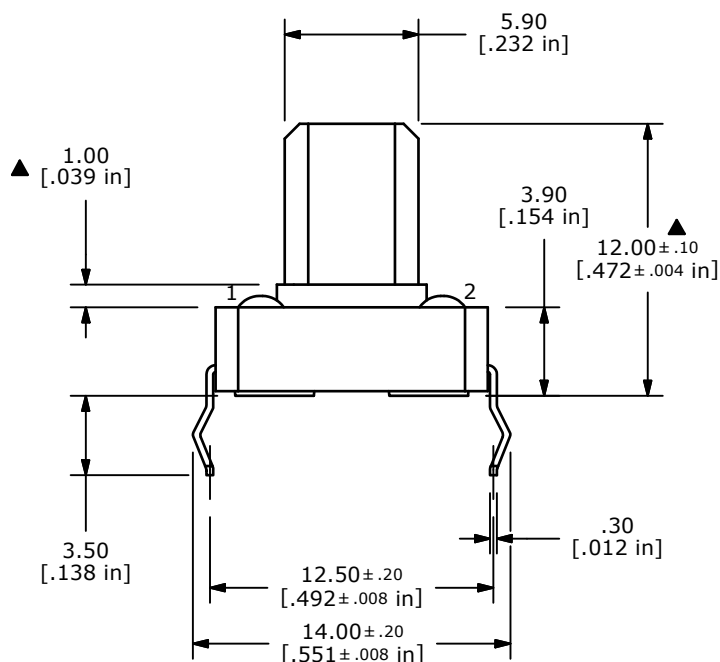
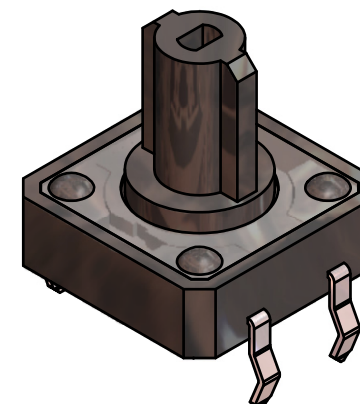
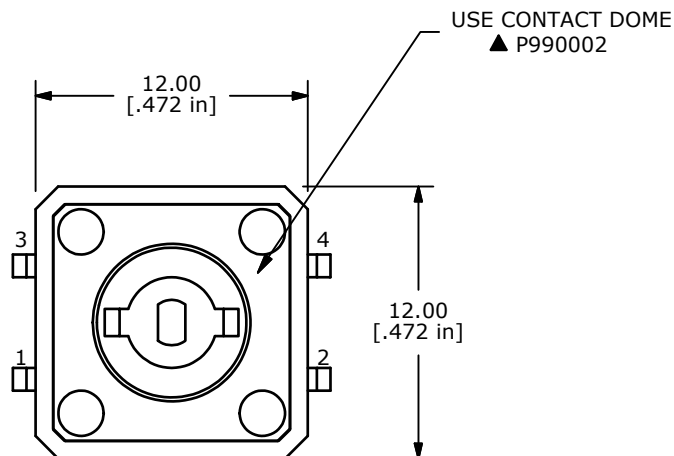
PCB MOUNTING



CIRCUIT: SPST

NOTES:

1. ALL DIMENSIONS IN MM [INCH]
2. GENERAL TOLERANCE: X.X=± 0.4  
X.XX=± 0.25
3. TERMINAL NUMBERS FOR REF. ONLY
4. CONTACT RATING: 50mA @ 12VDC
5. TRAVEL: 0.30± 0.15mm
- ▲ 6. OPERATING FORCE: 160± 50mN
7. CONTACT RESISTANCE: 100mΩ MAX.
8. ELECTRICAL LIFE: 100,000 CYCLES
9. ▲ DENOTES CRITICAL PARAMETER
10. 2002/95/EC (ROHS) COMPLIANT
- ▲ 11. CONTACT MATERIAL: GOLD
- ▲ 12. PACKAGE: 450 PIECES PER POLYBAG



**E-SWITCH®**

TITLE TL1100FF160R

A	21658	New Release	10/27/14	rc
REV	PCR NO	DESCRIPTION	DATE	BY

THE INFORMATION CONTAINED IN THIS DOCUMENT IS PROPRIETARY TO E-SWITCH AND IS NOT TO BE COPIED OR TRANSFERRED

SCALE	DATE	DR	DWG	REV
3:1	10/27/2014	rc	P001108	A