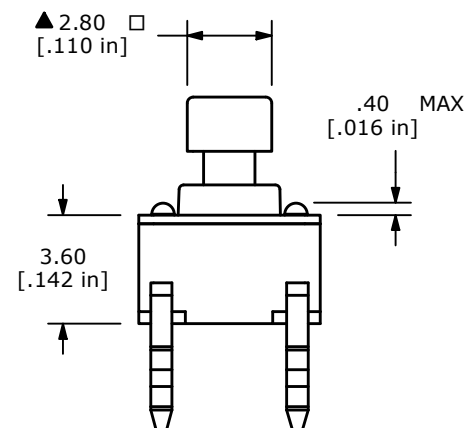
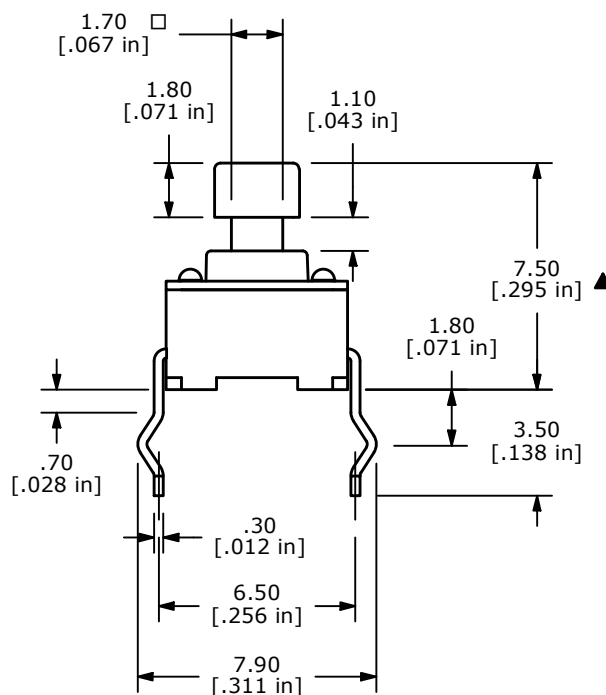


CIRCUIT: SPST ▲



NOTES:

1. ALL DIMENSIONS IN MM [INCH]
2. TERMINAL NUMBERS FOR REF. ONLY
3. TOLERANCE: X.X=± 0.4
X.XX=± 0.25
4. RATING: 50mA @ 12VDC
5. TRAVEL: 0.25mm +0.2/-0.1mm
- ▲ 6. OPERATING FORCE: 160± 50gf
7. ELECTRICAL LIFE: 100,000 CYCLES MIN.
8. CONTACT RESISTANCE: 100mΩ MAX.
- ▲ 9. CONTACT MATERIAL: SILVER
10. ▲ DENOTES CRITICAL PARAMETER
11. OPERATING TEMP: -40°C TO 85°C

REV	ECO NO	DESCRIPTION	DATE	BY
E	ECO-102235	PRINT UPDATE	09/21/23	JS



OBJECT ID
000017699

TITLE TL1105SPF160Q				
SCALE 4:1	DATE 8/28/1994	DR MM	DWG P010201	REV E