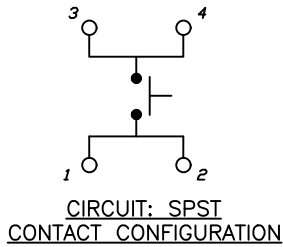
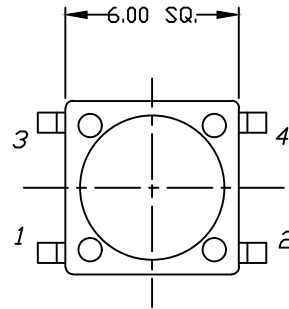
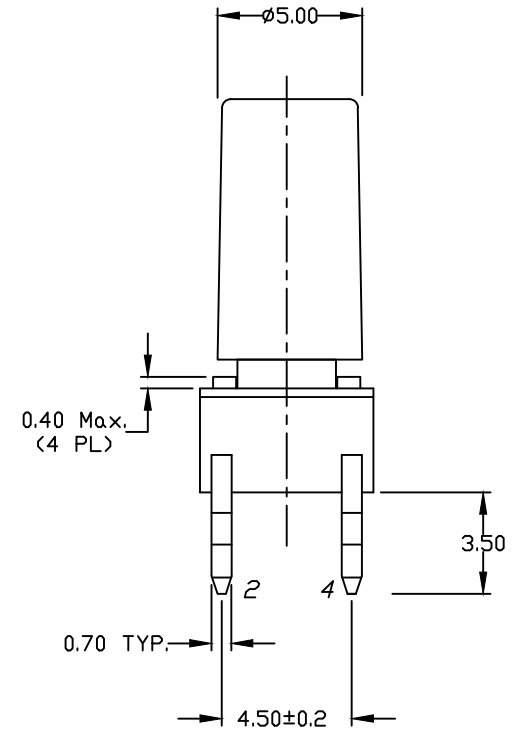
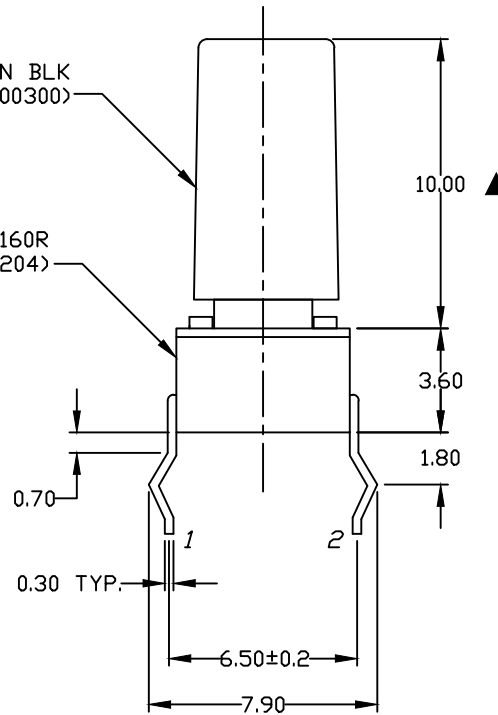


RECOMMENDED P.C.B. LAYOUT



▲ 1R BUTTON BLK (A800300)

▲ TL1105SPF160R (P010204)



NOTES:

1. ALL DIMENSIONS IN MM
2. GENERAL TOLERANCE: X.X=±0.4  
X.XX=±0.25
3. TERM. NOS. FOR REF. ONLY
- ▲ 4. CONTACT/TERMINAL MATERIAL: GOLD
5. RATING: 50mA, @12V DC
6. TRAVEL: 0.25±0.1mm
- ▲ 7. OPERATING FORCE: 160±50gf
8. CONTACT RESISTANCE: 100 milliohms Max.
9. ELECTRICAL LIFE: 100,000 CYCLES MIN.
10. ▲ DENOTES CRITICAL PARAMETER.



A	23920	RELEASED FOR PRODUCTION	6/5/19	MW
REV.	ECN No.	DESCRIPTION	DATE	CHKD

TITLE TL1105SPF160R1RBLK				
SCALE 4:1	DATE 6/5/19	DR AR	DWG XP0268P	REV A

THE INFORMATION CONTAINED IN THIS DOCUMENT IS PROPRIETARY TO E-SWITCH AND IS NOT TO BE COPIED OR TRANSFERRED