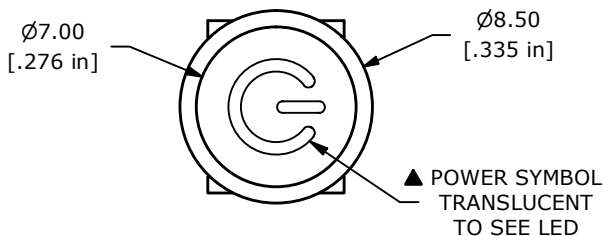
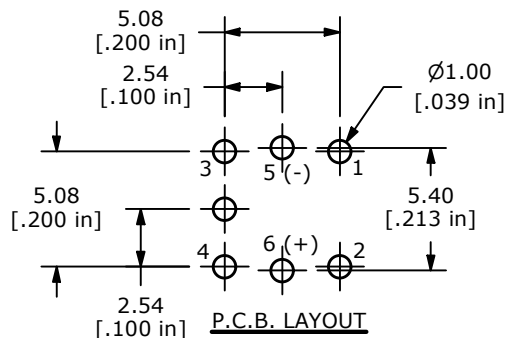
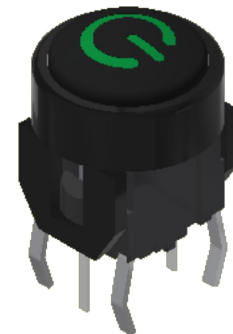
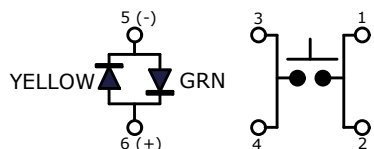
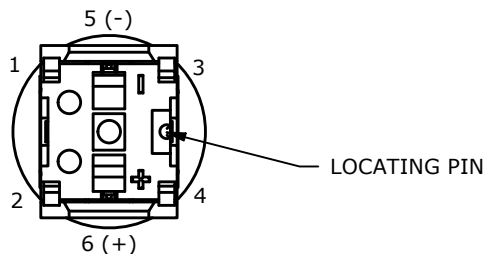
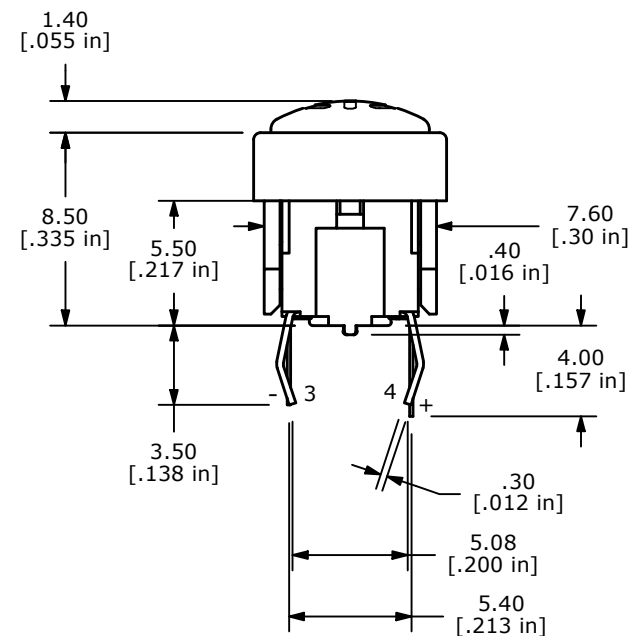
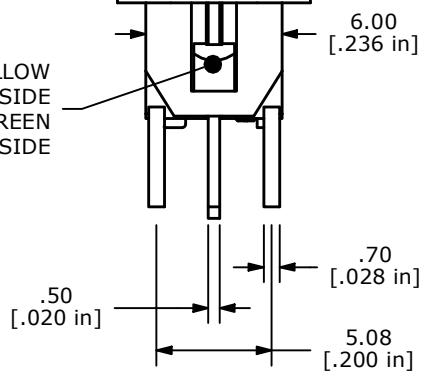


▲ LED SPECS	UNITS	YELLOW	GREEN
FORWARD CURRENT	mA	10	10
FORWARD VOLTAGE @ 10mA	V	1.6 - 2.5	1.7 - 2.5
LUMINOUS INTENSITY @ 10mA	mcd	50 typ.	15 typ



▲ ACTUATOR COLOR: BLACK  
 ▲ BEZEL COLOR: BLACK

▲ MARK CATHODE YELLOW ON THIS SIDE  
 MARK CATHODE GREEN ON THE OPPOSITE SIDE



YELLOW / GREEN LED  
 ▲ CIRCUIT: SPST

- NOTES:
1. ALL DIMENSIONS IN MM [INCH]
  2. GENERAL TOLERANCE: X.X = ±0.4  
X.XX = ±0.25
  3. RATING: 12VDC @ 50mA
  4. CONTACT RESISTANCE: 100 mΩ MAX.
  5. INSULATION RESISTANCE: 100 MΩ MIN.
  - ▲ 6. OPERATING FORCE: 180± 50gf
  7. TRAVEL: 0.2± 0.1mm
  8. OPERATING TEMPERATURE: -40°C TO 85°C
  9. OPERATING LIFE: 500,000 CYCLES
  - ▲ 10. LED: YELLOW/GREEN BI-COLOR
  11. ▲ DENOTES CRITICAL PARAMETERS
  12. PARTS TO BE PACKAGE 100 PARTS PER TRAY.

REV	ECO NO	DESCRIPTION	DATE	BY
A	ECO-102765	RELEASE	05/31/24	JS



OBJECT ID  
100127489

TITLE TL1220R1BBBYG-POWER				
SCALE 3:1	DATE 5/28/2024	DR JS	DWG B260077	REV A