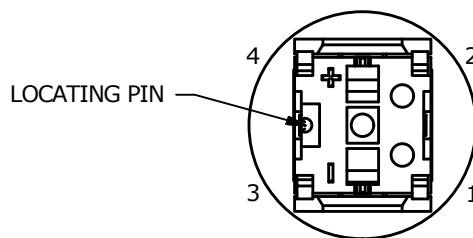
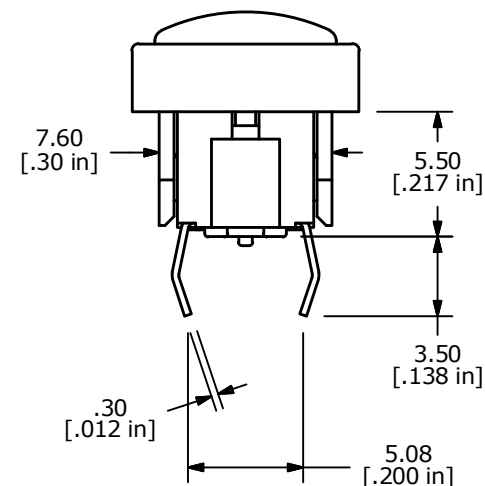
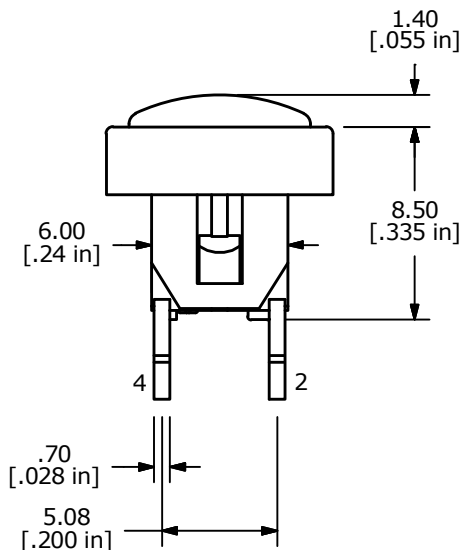
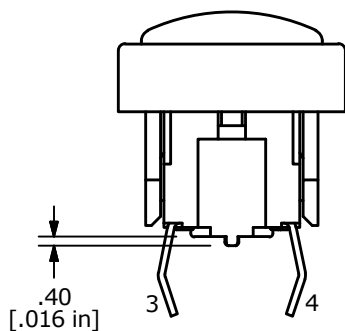


▲ CIRCUIT: SPST



NOTES:

1. ALL DIMENSIONS IN MM [INCH]
2. GENERAL TOLERANCE: X.X = ±0.4
X.XX = ±0.25
3. RATING: 12VDC @ 50mA
4. CONTACT RESISTANCE: 100mΩ MAX.
5. INSULATION RESISTANCE: 100MΩ MIN.
6. OPERATING FORCE: 180± 50gf
7. TRAVEL: 0.2± 0.1mm
8. OPERATING TEMPERATURE: -40°C to 85°C
9. OPERATING LIFE: 500,000 CYCLES
10. ▲ DENOTES CRITICAL PARAMETERS
11. 2002/95/EC (ROHS) COMPLIANT
12. TERMINAL NUMBERS FOR REFERENCE ONLY
13. PARTS TO BE PACKAGED 100 PARTS PER TRAY.



A	22202	RELEASE FOR PRODUCTION	3/18/16	MW
REV	PCR NO	DESCRIPTION	DATE	BY

TITLE TL1220R2BGGNN				
SCALE	DATE	DR	DWG	REV
3:1	3/16/2016	MW	B260035	A

THE INFORMATION CONTAINED IN THIS DOCUMENT IS PROPRIETARY TO E-SWITCH AND IS NOT TO BE COPIED OR TRANSFERRED