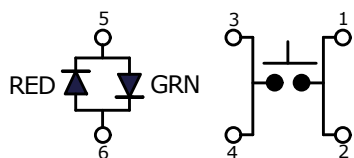
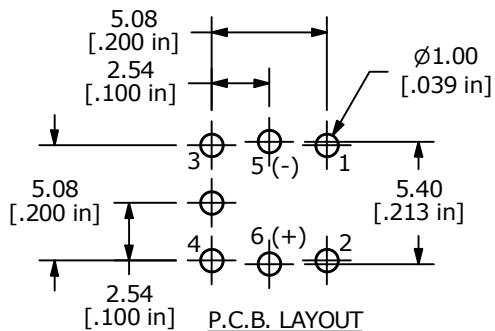
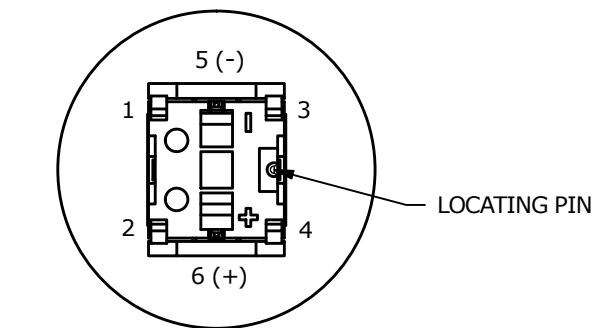
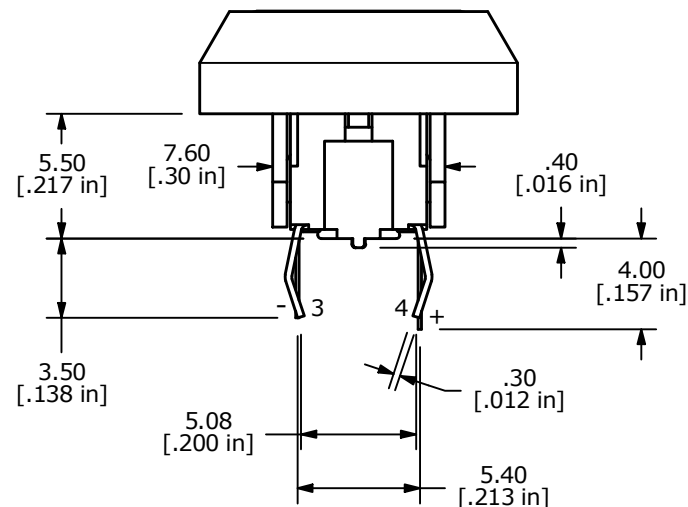
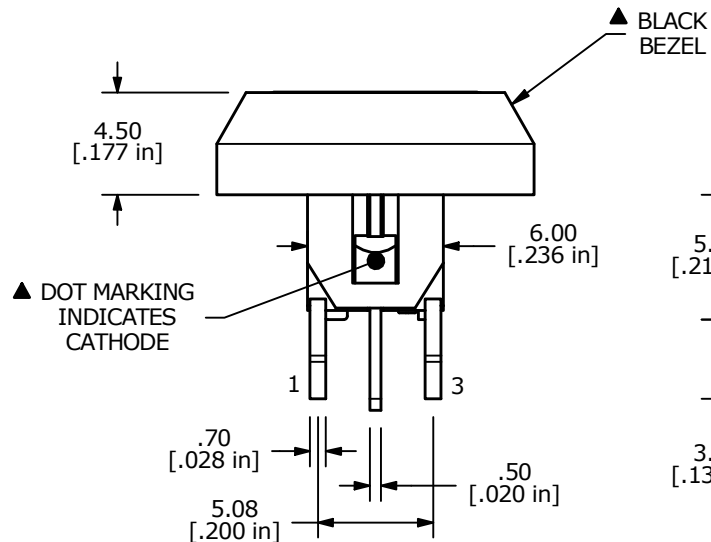
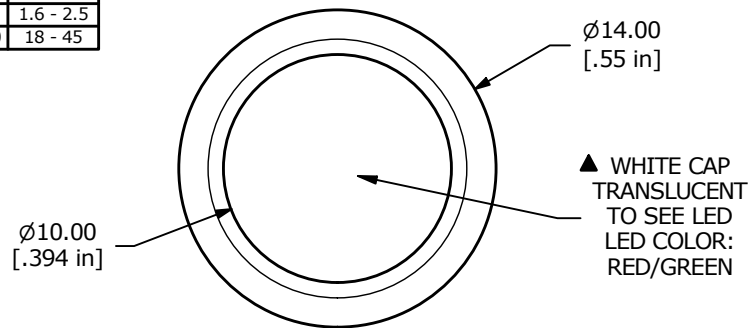


▲ LED SPECS	UNITS	RED	GREEN
FORWARD CURRENT	mA	20	20
FORWARD VOLTAGE @20mA	V	1.6 - 2.5	1.6 - 2.5
LUMINOUS INTENSITY @ 20mA	mcd	110 - 250	18 - 45



NOTES:

1. ALL DIMENSIONS IN MM [INCH]
2. GENERAL TOLERANCE: X.X = ±0.4
X.XX = ±0.25
3. RATING: 12VDC @ 50mA
4. CONTACT RESISTANCE: 100mΩ MAX.
5. INSULATION RESISTANCE: 100MΩ MIN.
- ▲ 6. OPERATING FORCE: 180± 50gf
7. TRAVEL: 0.2± 0.1mm
8. OPERATING TEMPERATURE: -40°C TO 85°C
9. OPERATING LIFE: 500,000 CYCLES
- ▲ 10. LED: RED/GREEN
11. ▲ DENOTES CRITICAL PARAMETERS
12. PARTS TO BE PACKAGED 50 PARTS PER TRAY.



REV	ECO NO	DESCRIPTION	DATE	BY
B	ECO-101932	print update	05/18/23	MW



OBJECT ID
100124175

TITLE TL1220R3BBWRGN				
SCALE 3:1	DATE 4/12/2023	DR JS	DWG B260073	REV B