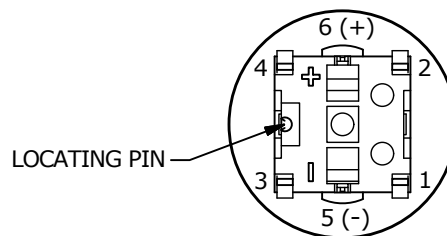
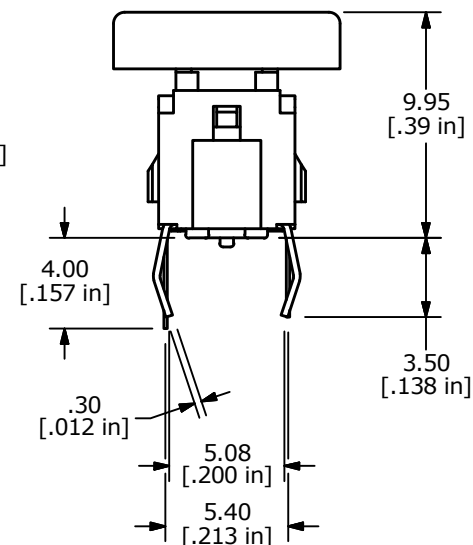
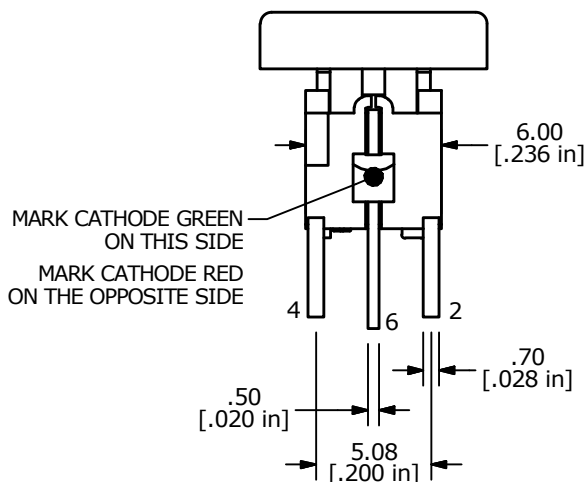
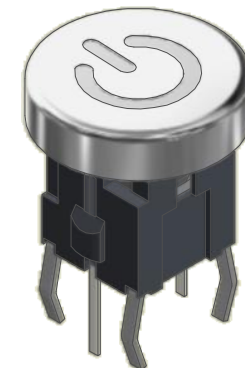
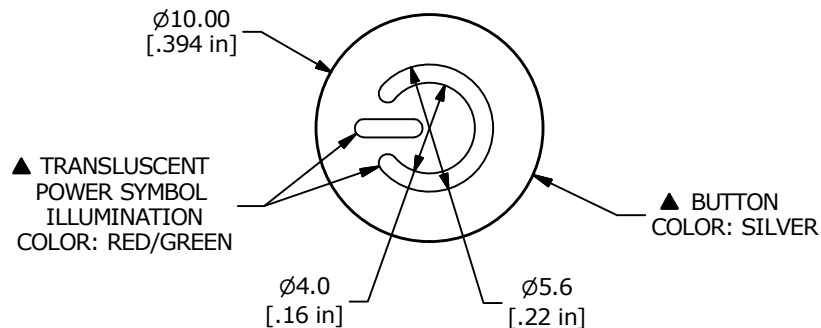
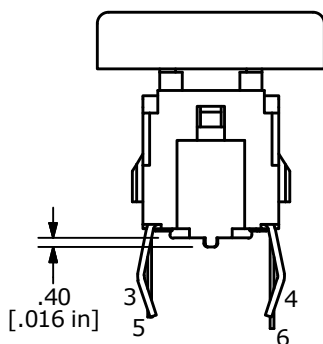
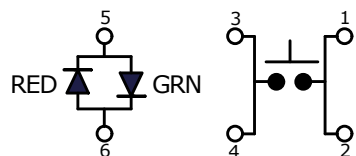
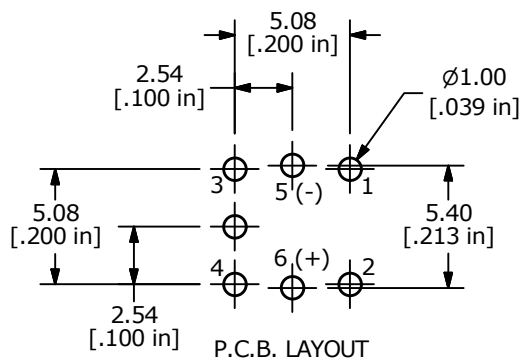


▲ LED SPECS	UNITS	RED	GREEN
FORWARD CURRENT	mA	20	20
FORWARD VOLTAGE @20mA	V	1.6 - 2.5	1.6 - 2.5
LUMINOUS INTENSITY @20mA	mcd	110 - 250	18 - 45



NOTES:

1. ALL DIMENSIONS IN MM [INCH]
2. GENERAL TOLERANCE: X.X = ±0.4
X.XX = ±0.25
3. RATING: 12VDC @ 50mA
4. CONTACT RESISTANCE: 100mΩ MAX. 1.5VDC; 100mA
5. INSULATION RESISTANCE: 100MΩ MIN. 500VDC
6. OPERATING FORCE: 180± 50gf
7. TRAVEL: 0.2± 0.1mm
8. OPERATING TEMPERATURE: -40°C to 85°C
9. OPERATING LIFE: 500,000 CYCLES
10. LED: RED / GREEN
11. ▲ DENOTES CRITICAL PARAMETERS
12. 2011/65/EU (ROHS) COMPLIANT
13. TERMINAL NUMBERS FOR REFERENCE ONLY
14. PARTS TO BE PACKAGED 50 PARTS PER TRAY.



A	23906	RELEASE FOR PRODUCTION	5/29/19	MW
REV	PCR NO	DESCRIPTION	DATE	BY

TITLE TL1220R3NNSRG-POWER				
SCALE	DATE	DR	DWG	REV
3:1	5/24/2019	MW	B260059	A

THE INFORMATION CONTAINED IN THIS DOCUMENT IS PROPRIETARY TO E-SWITCH AND IS NOT TO BE COPIED OR TRANSFERRED