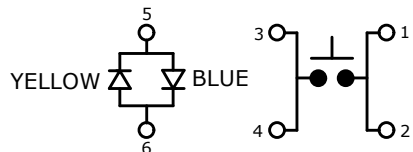
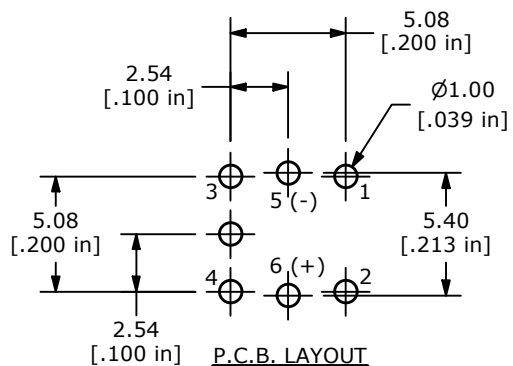


▲ LED SPECS	UNITS	YELLOW	BLUE
FORWARD CURRENT	mA	20mA	5mA
FORWARD VOLTAGE	V	2.0 typ.-2.5 max.	3.3 typ.-4.0 max.
LUMINOUS INTENSITY	MCD	150 typ.	70 typ.

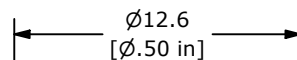
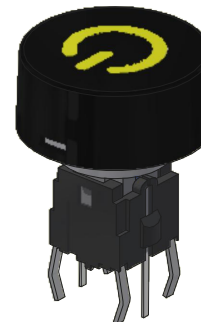


- NOTES:
1. ALL DIMENSIONS IN MM [INCH]
 2. GENERAL TOLERANCE: X.X = ±0.4
X.XX = ±0.25
 3. RATING: 12VDC @ 50mA
 4. CONTACT RESISTANCE: 100mΩ MAX.
 5. INSULATION RESISTANCE: 100MΩ MIN.
 6. OPERATING FORCE: 180 ± 50gf
 7. TRAVEL: 0.2 ± 0.1mm
 8. OPERATING TEMPERATURE: -40°C to 85°C
 9. OPERATING LIFE: 500,000 CYCLES
 - ▲ 10. LED: YELLOW/BLUE
 11. ▲ DENOTES CRITICAL PARAMETERS
 12. PARTS TO BE PACKAGED 50 PARTS PER TRAY.

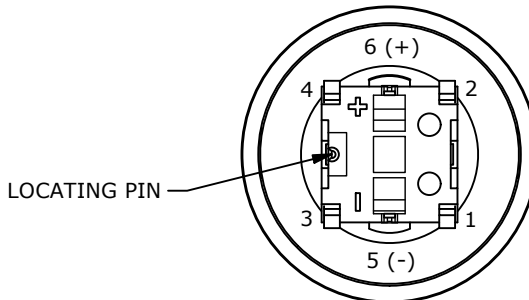
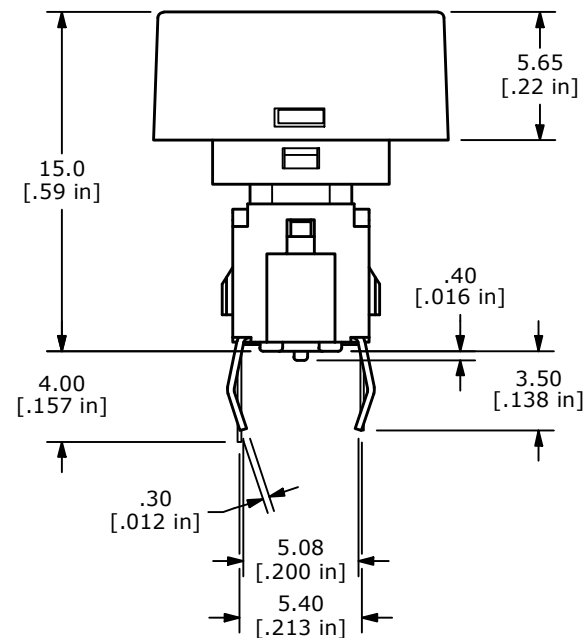
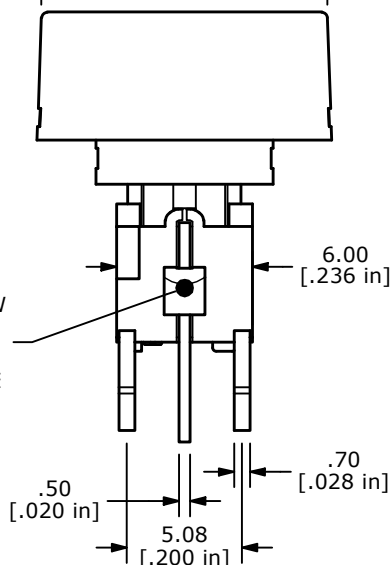


▲ TRANSLUCENT POWER SYMBOL ILLUMINATION COLOR: YELLOW/BLUE

▲ BUTTON COLOR: BLACK



▲ MARK CATHODE YELLOW ON THIS SIDE
MARK CATHODE BLUE ON THE OPPOSITE SIDE



REV	ECO NO	DESCRIPTION	DATE	BY
A	ECO-102993	Release	09/27/24	MW



OBJECT ID
100128471

TITLE TL1220R4NNBYB				
SCALE 3:1	DATE 9/23/2024	DR MW	DWG B260078	REV A