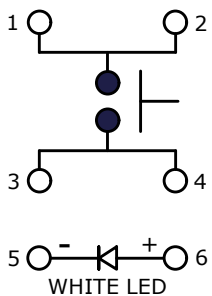
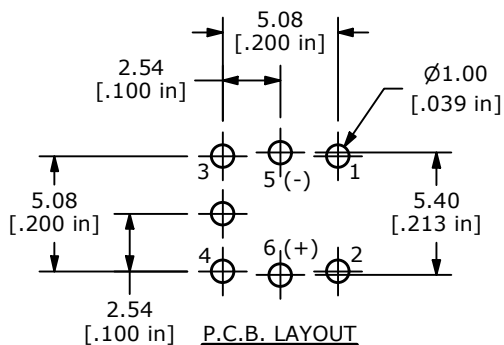


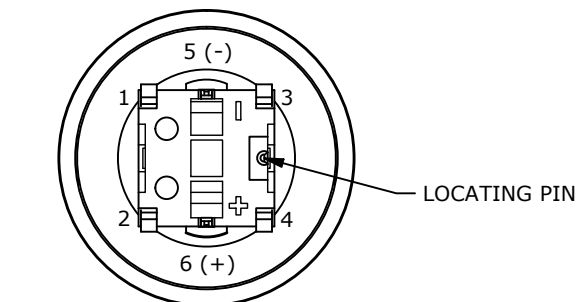
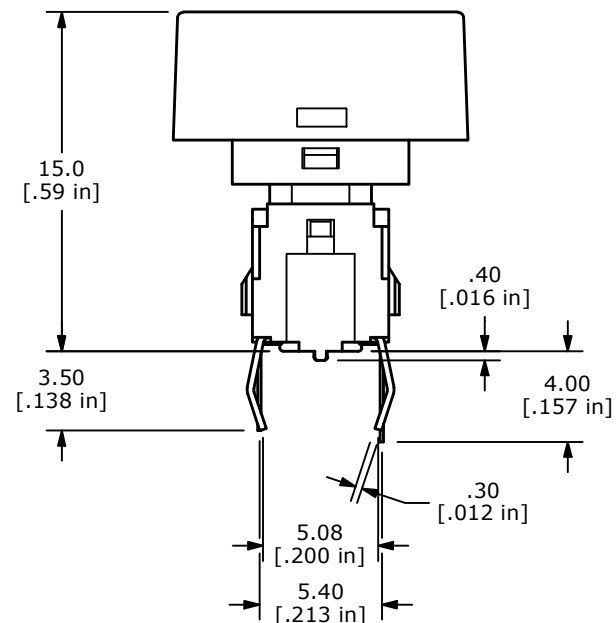
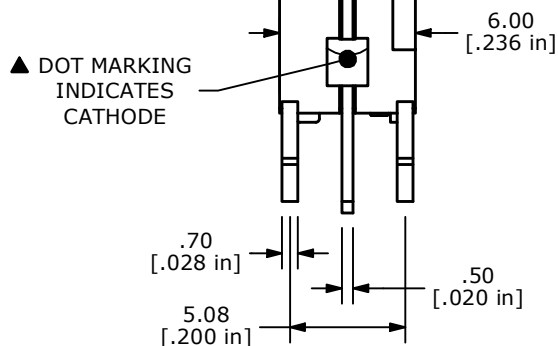
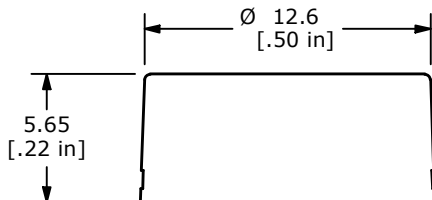
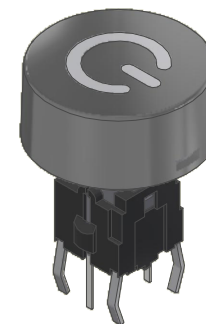
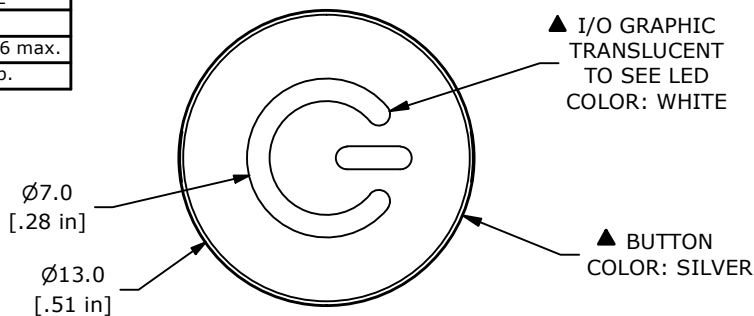
▲ LED SPECS	UNITS	WHITE
FORWARD CURRENT	mA	20
FORWARD VOLTAGE @ 20mA	V	3.2 typ. - 3.6 max.
LUMINOUS INTENSITY @ 20mA	mcd	200 typ.



▲ CIRCUIT: SPST

NOTES:

1. ALL DIMENSIONS IN MM [INCH]
2. GENERAL TOLERANCE: X.X = ±0.4
X.XX = ±0.25
3. RATING: 12VDC @ 50mA
4. CONTACT RESISTANCE: 100mΩ MAX.
5. INSULATION RESISTANCE: 100MΩ MIN.
6. OPERATING FORCE: 180 ±50gf
7. TRAVEL: 0.2 ±0.1mm
8. OPERATING TEMPERATURE: -40°C to 85°C
9. OPERATING LIFE: 500,000 CYCLES
- ▲ 10. LED: WHITE
11. ▲ DENOTES CRITICAL PARAMETERS
12. PARTS TO BE PACKAGED 50 PARTS PER TRAY.



REV	ECO NO	DESCRIPTION	DATE	BY
A	ECO-103641	Release	09/11/25	MW



OBJECT ID
100131011

TITLE TL1220R4NNSW-POWER

SCALE	DATE	DR	DWG	REV
3:1	9/9/2025	MW	B260079	A