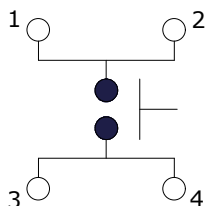


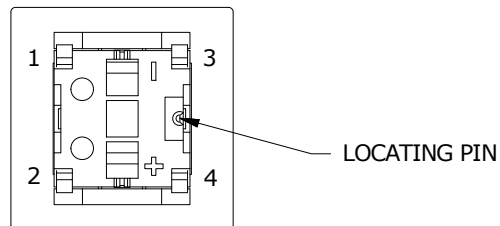
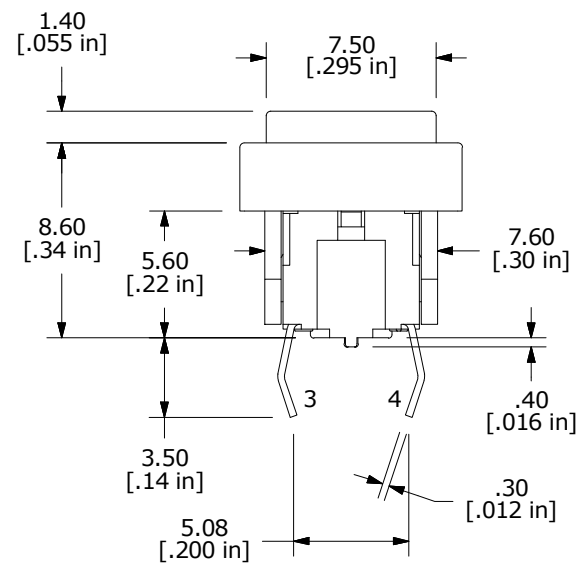
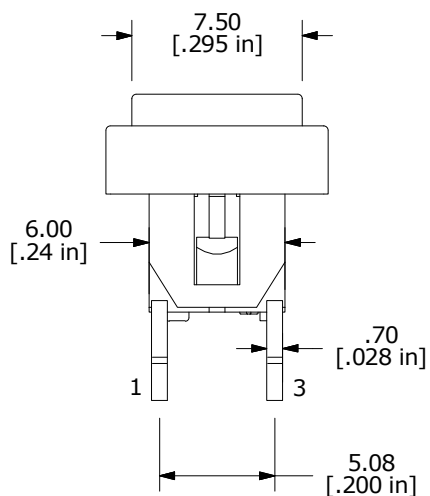
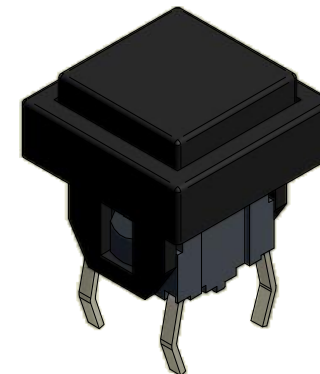
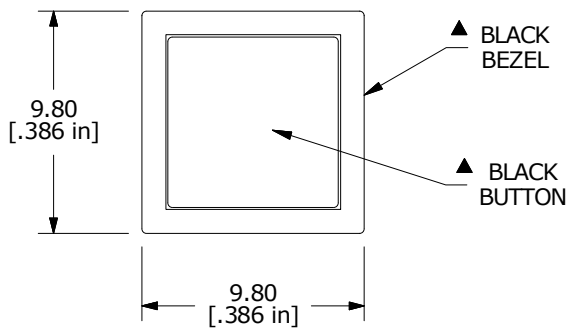
P.C.B. LAYOUT



▲ CIRCUIT: SPST

NOTES:

1. ALL DIMENSIONS IN MM [INCH]
2. GENERAL TOLERANCE: X.X = ±0.4
X.XX = ±0.25
3. RATING: 12VDC @ 50mA
4. CONTACT RESISTANCE: 100mΩ MAX.
5. INSULATION RESISTANCE: 100MΩ MIN.
- ▲ 6. OPERATING FORCE: 180 ± 50gf
7. TRAVEL: 0.2 ± 0.1mm
8. OPERATING TEMPERATURE: -40°C to 85°C
9. OPERATING LIFE: 500,000 CYCLES
- ▲ 10. LED: NO LED
11. ▲ DENOTES CRITICAL PARAMETERS
12. 2011/65/EU (ROHS) COMPLIANT
13. PARTS TO BE PACKAGED 100 PARTS PER TRAY.



TITLE TL1220S1BBBNN

A	22964	New Release	8/21/17	MW
REV	PCR NO	DESCRIPTION	DATE	BY

SCALE	DATE	DR	DWG	REV
3:1	8/21/2017	MW	B260056	A

THE INFORMATION CONTAINED IN THIS DOCUMENT IS PROPRIETARY TO E-SWITCH AND IS NOT TO BE COPIED OR TRANSFERRED