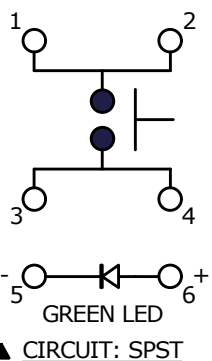
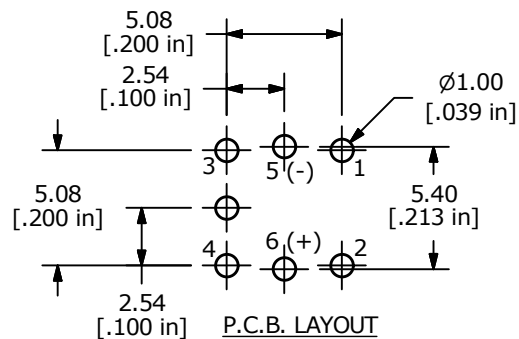
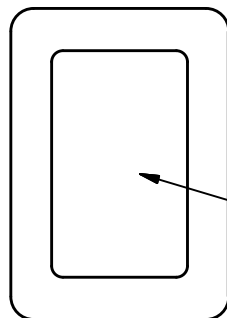


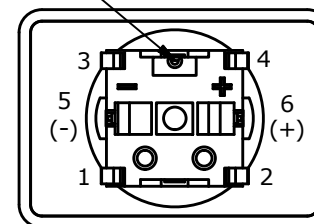
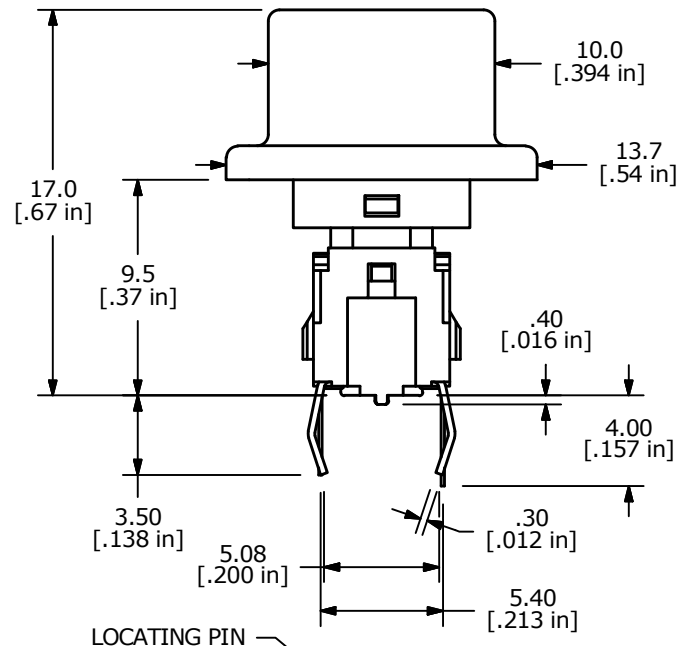
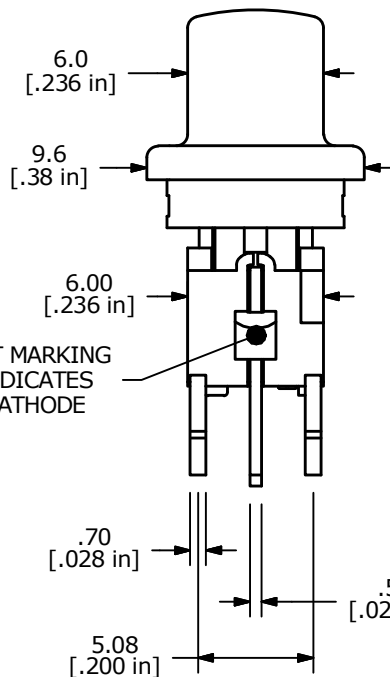
▲ LED SPECS	UNITS	GREEN
FORWARD CURRENT	mA	20
FORWARD VOLTAGE @ 20mA	V	2.1 typ.-2.5 max.
LUMINOUS INTENSITY @ 20mA	mcd	55 typ.



- NOTES:
1. ALL DIMENSIONS IN MM [INCH]
 2. GENERAL TOLERANCE: X.X = ±0.4
X.XX = ±0.25
 3. RATING: 12VDC @ 50mA
 4. CONTACT RESISTANCE: 100mΩ MAX.
 5. INSULATION RESISTANCE: 100MΩ MIN.
 - ▲ 6. OPERATING FORCE: 180± 50gf
 7. TRAVEL: 0.2± 0.1mm
 8. OPERATING TEMPERATURE: -40°C TO 85°C
 9. OPERATING LIFE: 500,000 CYCLES
 - ▲ 10. LED: GREEN
 11. ▲ DENOTES CRITICAL PARAMETERS
 12. 2002/95/EC (ROHS) COMPLIANT
 13. PARTS TO BE PACKAGED 50 PARTS PER TRAY.



▲ GREEN CAP
TRANSLUCENT
LED COLOR: GREEN



A	22374	New Release	6/28/16	MW
REV	PCR NO	DESCRIPTION	DATE	BY

TITLE TL1220S6NNTGN				
SCALE	DATE	DR	DWG	REV
3:1	6/28/2016	MW	B260051	A

THE INFORMATION CONTAINED IN THIS DOCUMENT IS PROPRIETARY TO E-SWITCH AND IS NOT TO BE COPIED OR TRANSFERRED