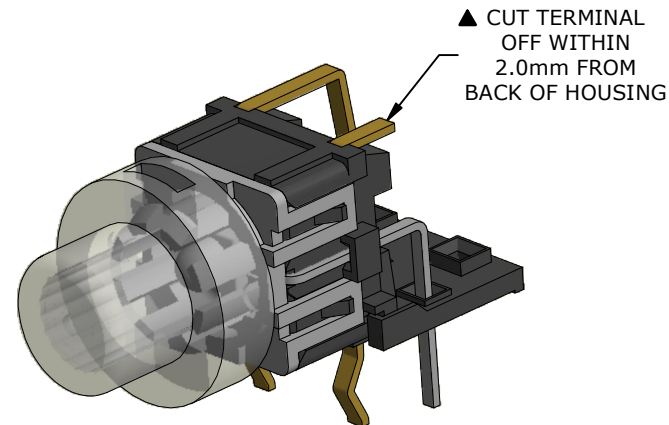
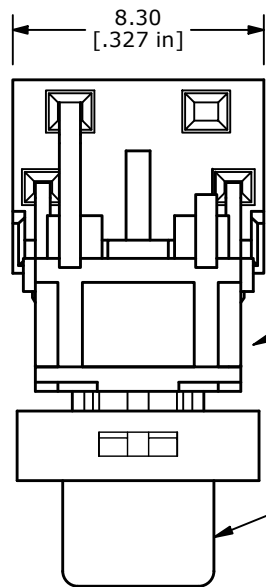


▲ LED SPECS	UNITS	GREEN	RED
FORWARD CURRENT	mA	20 NOM	20 NOM
FORWARD VOLTAGE @ 20mA	V	2.2 TYP 2.5 MAX	2.0 TYP 2.5 MAX
LUMINOUS INTENSITY @ 20mA	mcd	568 TYP	617 TYP

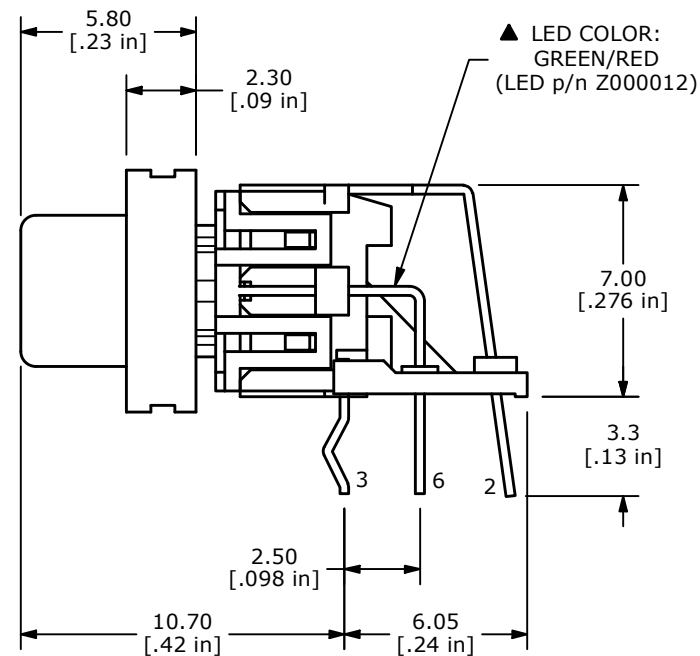
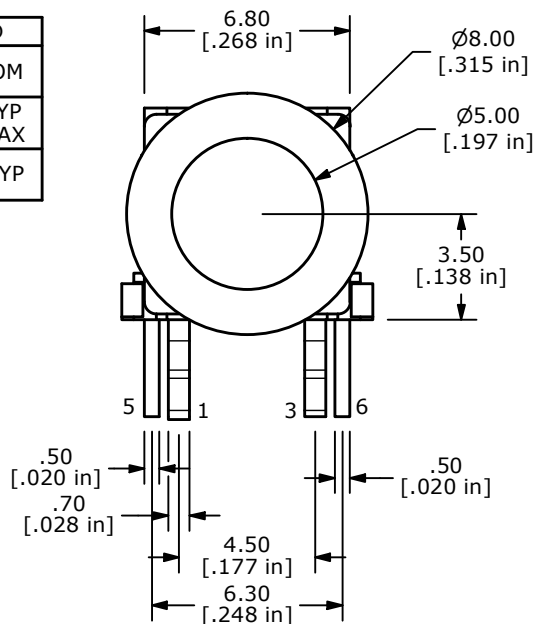
NOTES:

1. ALL DIMENSIONS IN MM [INCH]
2. GENERAL TOLERANCE: X.X = ±0.4
X.XX = ±0.25
3. RATING: 50mA @ 12VDC
4. CONTACT RESISTANCE: 100mΩ MAX.
5. INSULATION RESISTANCE: 100MΩ MIN.
- ▲ 6. OPERATING FORCE: 180 ± 60gf
7. TRAVEL: 0.2 ± 0.1mm
8. OPERATING TEMPERATURE: -20°C to 70°C
9. OPERATING LIFE: 50,000 CYCLES
- ▲ 10. LED: GREEN/RED
- ▲ 11. CONTACTS: GOLD
12. ▲ DENOTES CRITICAL PARAMETERS
13. PARTS TO BE PACKAGED IN TRAYS, 100 PIECES PER TRAY.



▲ GOLD DOME (P990004)

▲ CAP MATERIAL TO BE CLEAR POLYCARBONATE



B	24627	added LED p/n callout	12/7/20	MW
A	24517	RELEASE	10/2/20	MW
REV	PCR NO	DESCRIPTION	DATE	BY

			OBJECT ID 000018025	
TITLE TL1250F180GRRRCLR				
SCALE	DATE	DR	DWG	REV
4:1	10/2/2020	MW	P010837	B