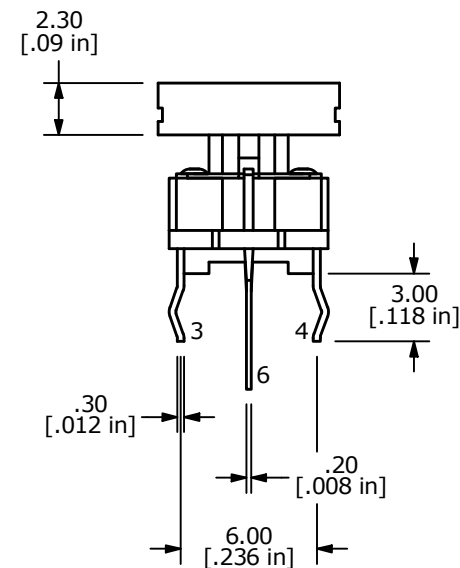
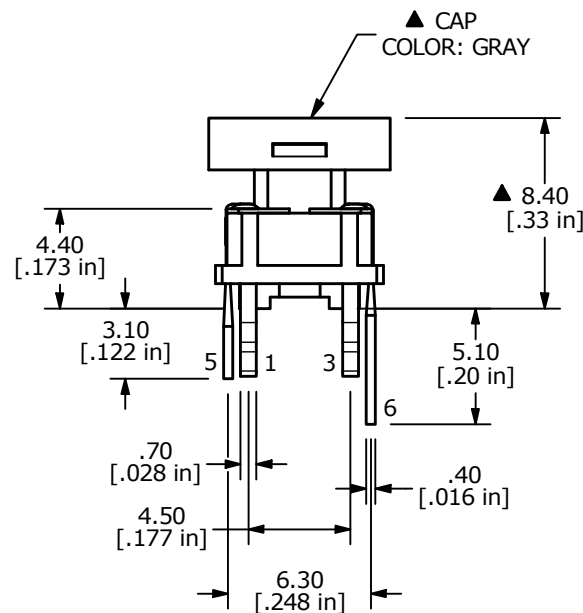
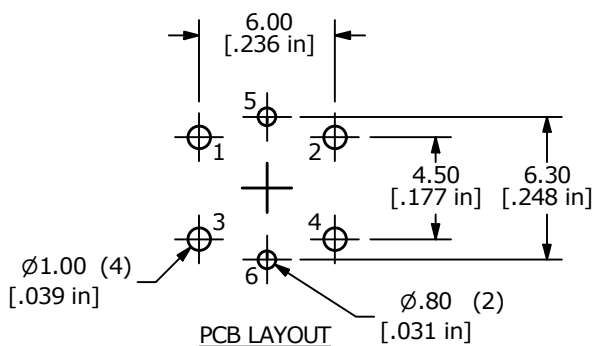
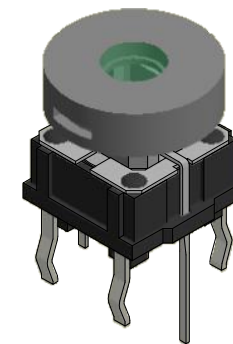
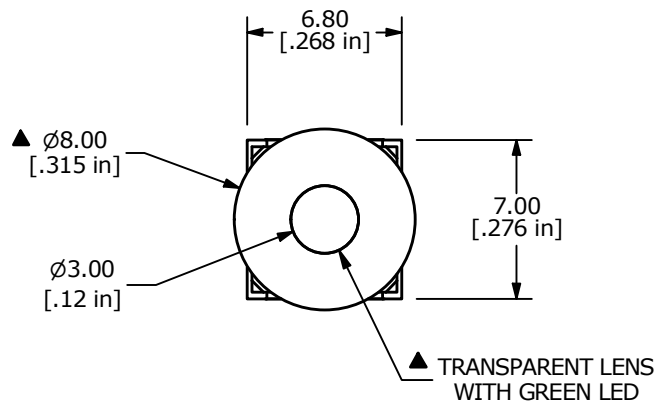


▲ CIRCUIT: SPST



- NOTES:
1. ALL DIMENSIONS IN MM
 2. GENERAL TOLERANCE: X.X = ± 0.4
X.XX = ± 0.25
 3. RATING: 50mA, 12VDC
 4. TRAVEL: 0.2 ± 0.1
 - ▲ 5. OPERATING FORCE: 160 ± 50 gf
 6. CONTACT RESISTANCE: 100m-Ohms MAX
 7. CONTACT MATERIAL: SILVER
 8. OPERATING LIFE: 500,000 CYCLES
 9. INSULATION RESISTANCE: 100M-Ohms MIN
 10. DIELECTRIC STRENGTH: 500VDC FOR 1 MINUTE
 - ▲ 11. LED COLOR: GREEN
 12. OPERATING TEMPERATURE: -40°C to 85°C
 13. ▲ DENOTES CRITICAL PARAMETER

▲ LED SPECS	UNITS	GREEN LED
FORWARD CURRENT	mA	20
FORWARD VOLTAGE	V	2.1 TYP. - 2.5 MAX
LUMINOUS INTENSITY	mcd	800



A	24759	RELEASE	3/1/21	MW
REV	PCR NO	DESCRIPTION	DATE	BY

TITLE	TL1265GQRGRY			
SCALE	DATE	DR	DWG	REV

3:1	3/1/2021	MW	B200043	A
-----	----------	----	---------	---

THE INFORMATION CONTAINED IN THIS DOCUMENT IS PROPRIETARY TO E-SWITCH AND IS NOT TO BE COPIED OR TRANSFERRED