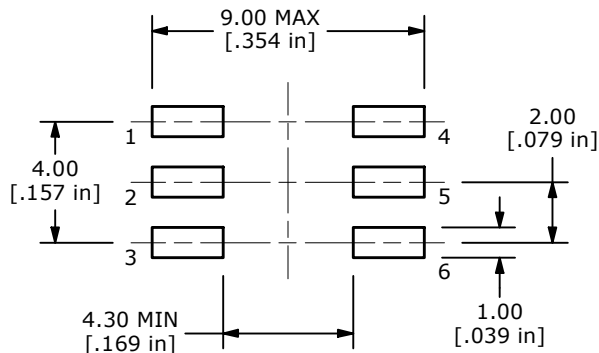
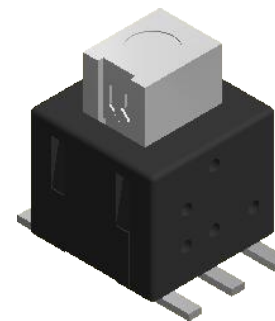
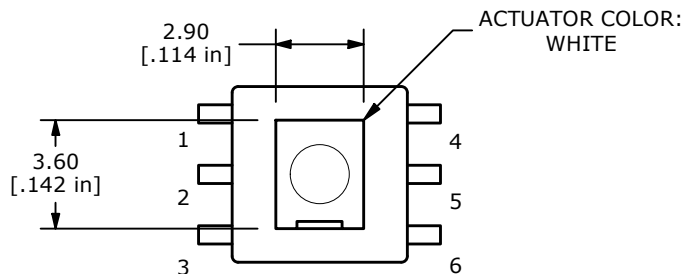
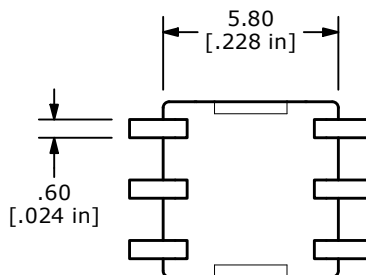
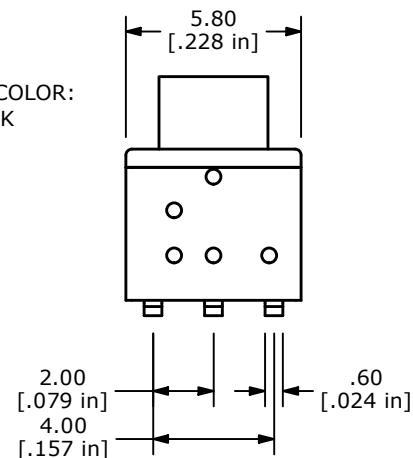
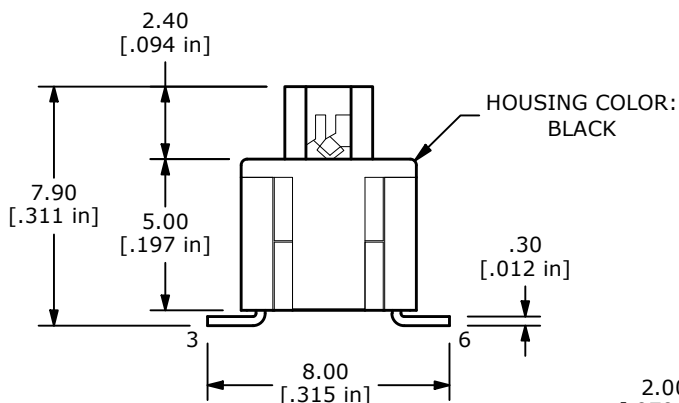


CIRCUIT DIAGRAM



RECOMMENDED P.C.B. LAYOUT



NOTES:

1. ALL DIMENSIONS IN mm [INCHES]
2. GENERAL TOLERANCE: X.X = ±0.4  
X.XX = ±0.25
3. TERM. NOS. FOR REF. ONLY
4. RATING: 0.1A; 30V
5. CONTACT RESISTANCE: 100 MILLI-OHMS MAX INITIAL.
6. TIMING: NON-SHORTING
- ▲7. TRAVEL: FULL 1.9mm
8. OPERATING FORCE: 250 ± 80gf
9. ELECTRICAL LIFE: 10,000 CYCLES MAKE AND BREAK CYCLES AT FULL LOAD
10. ▲ DENOTE CRITICAL PARAMETER

REV	ECO NO	DESCRIPTION	DATE	BY
B	ECO-100445	SWITCH TERMINAL LABELING 1 TO 3 & 4 TO 6	10/14/21	MR
A	ECO-100223	NEW RELEASE	07/22/21	MR



OBJECT ID  
100117282

TITLE TL2233OA		SCALE 4:1	DATE 7/6/2021	DR MJR	DWG P022330	REV B
----------------	--	-----------	---------------	--------	-------------	-------