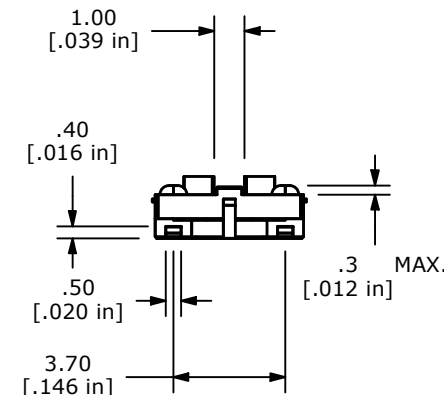
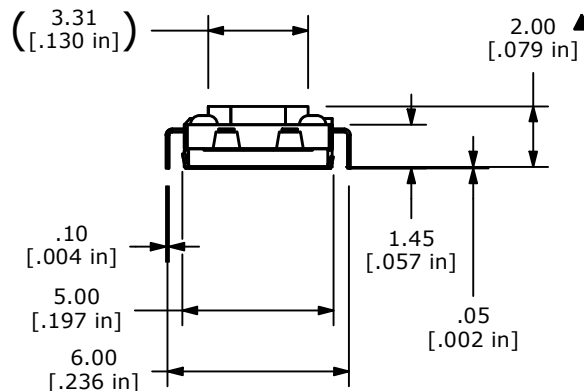
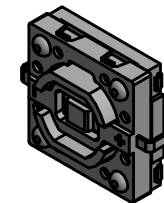
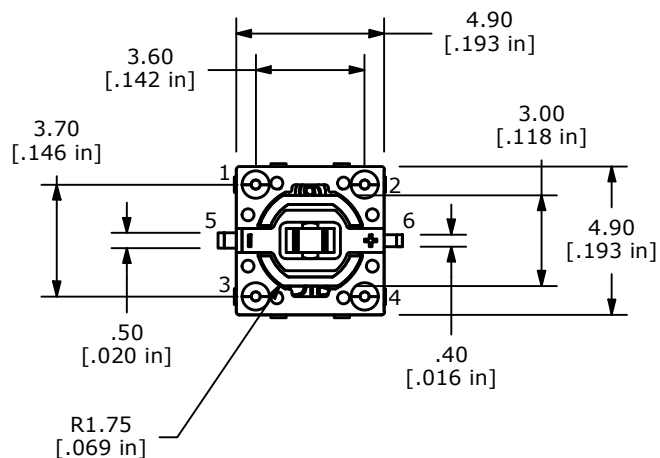


NOTES:

1. ALL DIMENSIONS IN MM [INCH]
2. GENERAL TOLERANCE: X.X=±0.4
X.XX=±0.25
3. RATING: 12VDC @ 50mA
4. CONTACT RESISTANCE: 100mΩ MAX.
5. INSULATION RESISTANCE: 100MΩ MIN @ 500VDC.
- ▲ 6. OPERATING FORCE: 250 ± 50gf
7. TRAVEL: 0.25+01/-0.2mm
8. OPERATING TEMPERATURE: -40°C TO 85°C
9. OPERATING LIFE: 1,000,000 CYCLES
- ▲ 10. LED COLOR: BLUE
11. ▲ DENOTES CRITICAL PARAMETERS



▲ LED Specifications			
LED Color	Forward Current (mA)	Forward Voltage (V @ 20mA)	Luminous Intensity (mcd)
Blue	20	3.3 typ - 3.6 max	100 typ

REV	ECO NO	DESCRIPTION	DATE	BY		OBJECT ID 100130652
A	ECO-103536	RELEASE	07/18/25	JS		
					TITLE TL3215AF250BQ	
			SCALE	DATE	DR	REV
			4:1	7/15/2025	JS	A
				DWG	N326007	