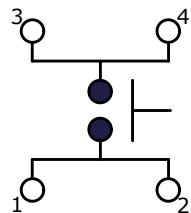
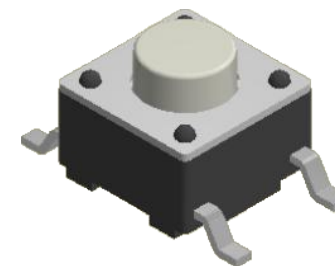
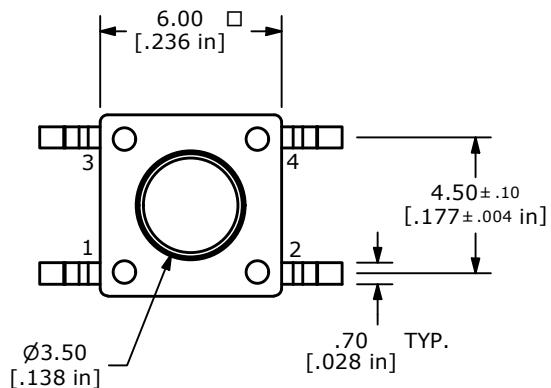
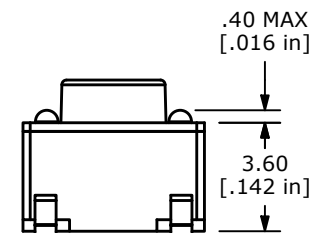
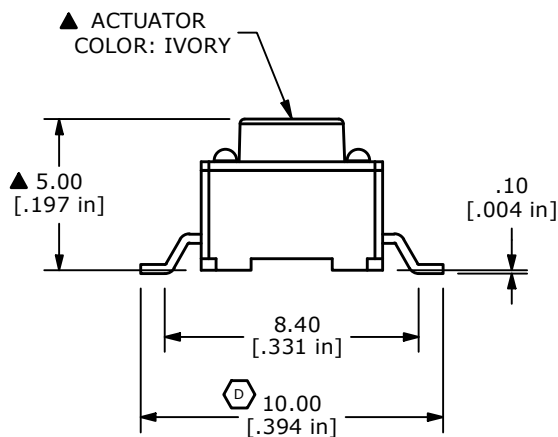


RECOMMENDED P.C.B. LAYOUT



CIRCUIT: SPST



ALL TERMINALS MUST BE COPLANAR WITHIN 0.10 [.004 in]

NOTES:

1. ALL DIMENSIONS IN MM
2. GENERAL TOLERANCE: X.X=±0.4  
X.XX=±0.25
3. TERM. NUMBERS FOR REFERENCE ONLY.
4. RATING: 50VDC, 50mA
- ▲ 5. OPERATING FORCE: 260 ± 50 gf
6. TRAVEL: 0.25mm +0.2/-0.1MM
7. CONTACT RESISTANCE: 100 MILLI OHMS MAX. (INITIAL)
8. MECHANICAL/ELECTRICAL LIFE 100,000 CYCLES MIN.
- ▲ 9. CONTACT MATERIAL: SILVER
- ▲ 10. PACKAGE: TAPE AND REEL, 1,200 PIECES PER REEL
11. ▲ DENOTES CRITICAL PARAMETER
12. OPERATING TEMP: -40°C TO 85°C

E	24699	CHANGE OPERATING TEMP	2/3/21	JM
D	21616	CHANGED DIM. FROM 9.20 TO 10	10/14/14	AS
C	20773	REVISED AND REDRAWN	9/25/12	RC
REV	PCR NO	DESCRIPTION	DATE	BY



OBJECT ID  
000017841

TITLE TL3301AF260QG				
SCALE	DATE	DR	DWG	REV
4:1	9/25/2012	RC	P010513	E