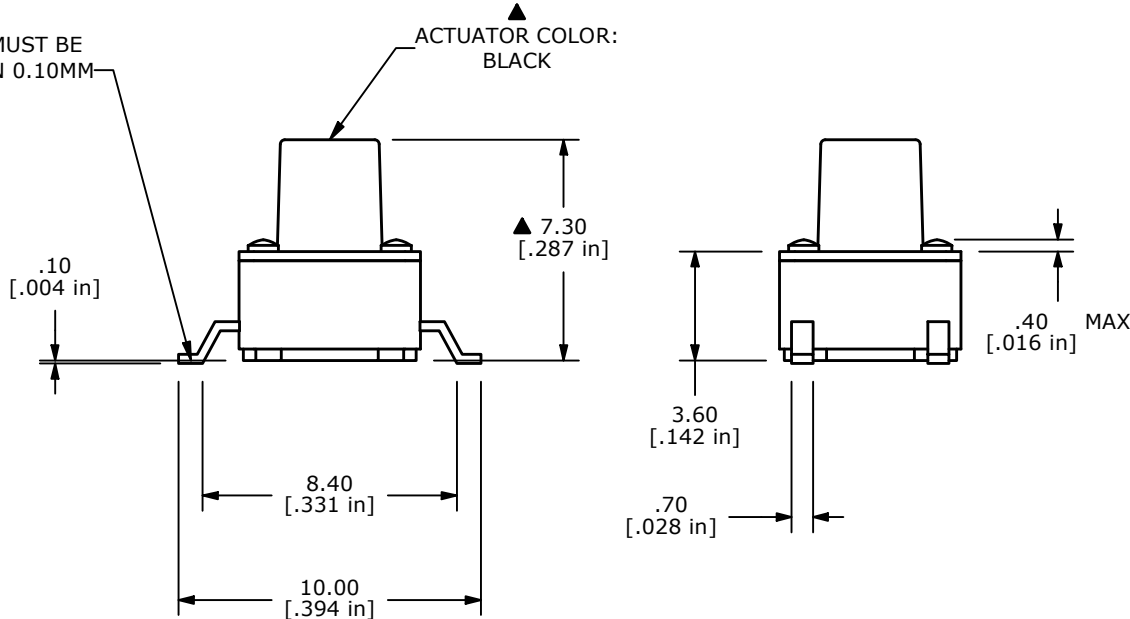


▲ ALL TERMINALS MUST BE
COPLANAR WITHIN 0.10MM
TOTAL

▲ ACTUATOR COLOR:
BLACK



NOTES:

1. ALL DIMENSIONS IN MM
2. GENERAL TOLERANCE: X.X=±0.4
X.XX=±0.25
3. TERM. NOS. FOR REFERENCE ONLY.
4. RATING: 12VDC, 50mA
5. OPERATING FORCE: 100 ± 50 gf
6. TRAVEL: 0.25mm ±0.1
7. CONTACT RESISTANCE: 100 MILLI OHMS MAX. (INITIAL)
8. MECHANICAL/ELECTRICAL LIFE 100,000 CYCLES MIN.
9. CONTACT MATERIAL: SILVER
10. ▲ DENOTES CRITICAL PARAMETER
11. PACKAGING: TAPE AND REEL, 700 PIECES PER REEL
12. OPERATING TEMP: -40°C TO 85°C



| | | | | |
|-----|--------|-----------------------|---------|----|
| B | 24731 | CHANGE OPERATING TEMP | 3/1/21 | JM |
| A | 20790 | NEW RELEASE | 9/28/12 | RC |
| REV | PCR NO | DESCRIPTION | DATE | BY |

| | | | | |
|---------------------|-----------|----|---------|-----|
| TITLE TL3301EF100QG | | | | |
| SCALE | DATE | DR | DWG | REV |
| 4:1 | 9/28/2012 | RC | J100634 | B |

THE INFORMATION CONTAINED IN THIS DOCUMENT IS PROPRIETARY TO E-SWITCH AND IS NOT TO BE COPIED OR TRANSFERRED