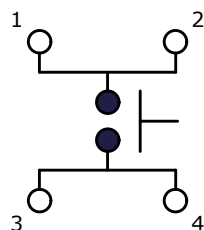
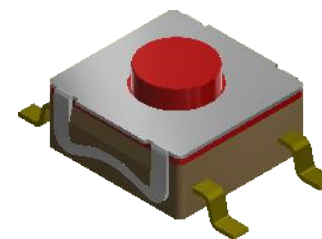
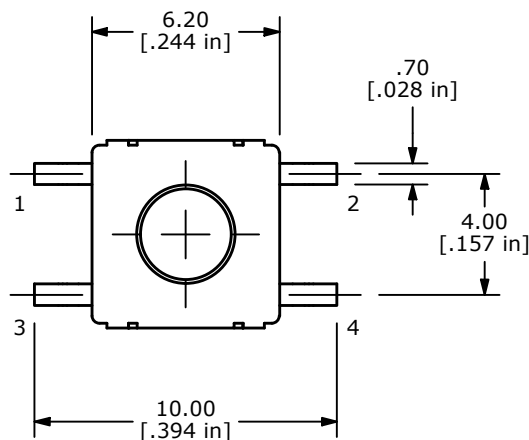
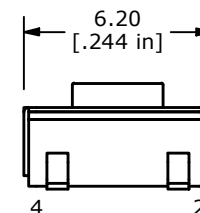
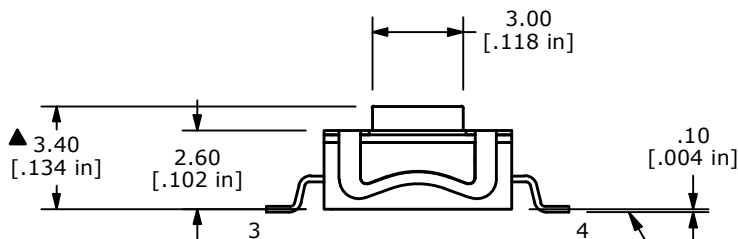


RECOMMENDED P.C.B. LAYOUT




CIRCUIT: SPST



▲ ALL TERMINALS MUST BE CO-PLANAR WITHIN 0.10 [.004] TOTAL

NOTES:

1. ALL DIMENSIONS IN MM [INCH]
2. GENERAL TOLERANCE: x.x = ± 0.4
x.xx = ± 0.25
3. TERM. NOS. FOR REF. ONLY
4. RATING: 50mA, @12V DC
- ▲ 5. OPERATING FORCE: 260 ± 50gf
6. TRAVEL: 0.25 +0.2/-0.1MM
7. CONTACT RESISTANCE: 100 mΩ MAX.
8. PACKAGING: TAPE AND REEL, 1500 PCS PER REEL
- ▲ 9. CONTACT MATERIAL: SILVER
10. ▲ DENOTES CRITICAL PARAMETER
11. 2011/65/EU (ROHS) COMPLIANT
12. MECHANICAL/ELECTRICAL LIFE: 100,000 CYCLES
13. OPERATING TEMPERATURE: -20°C to 70°C

REV	ECO NO	DESCRIPTION	DATE	BY		OBJECT ID 000017862
E	ECO-101319	TL3304 SERIES UPDATE	10/20/22	MR		
					TITLE TL3304AF260QG	
			SCALE	DATE	DR	REV
			4:1	6/13/2005	JB	E
					DWG	P010539