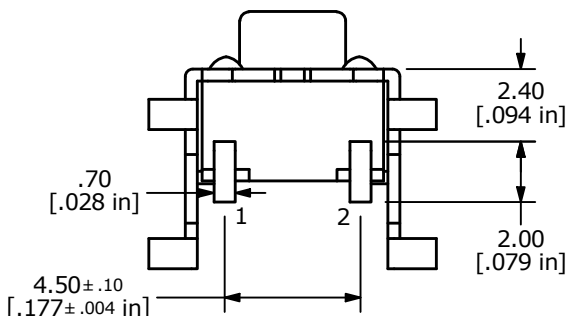
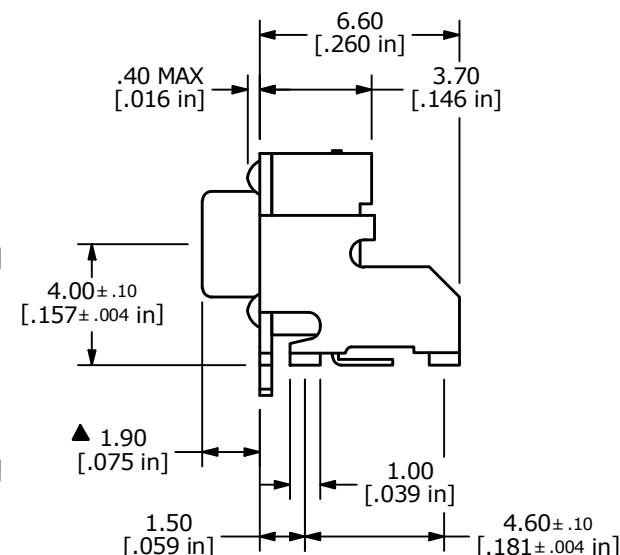
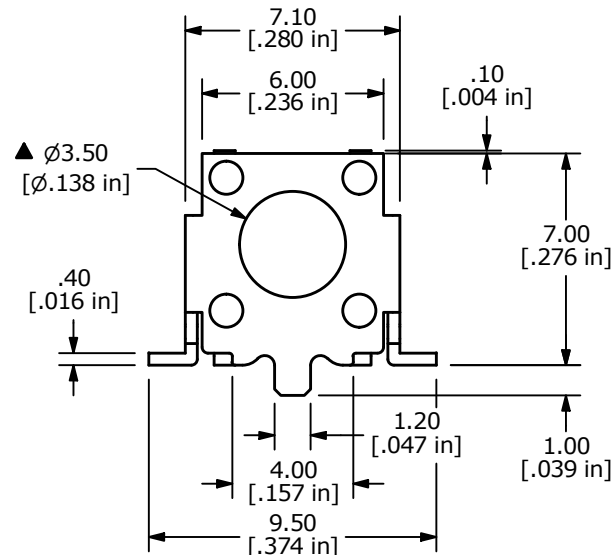
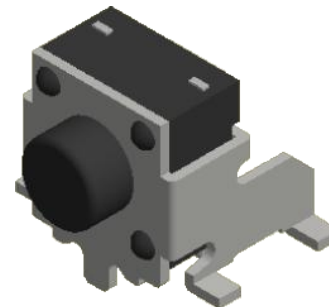
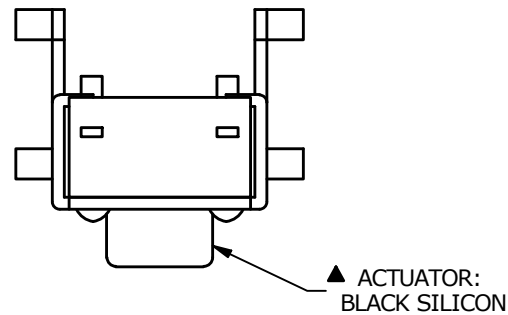


NOTES:

1. ALL DIMENSIONS IN MM
2. GENERAL TOLERANCE: X.X = ±0.4  
X.XX = ±0.25
3. TERM. NUMBERS FOR REF. ONLY.
4. RATING: 50mA @12VDC
- ▲ 5. OPERATING FORCE: 160 ± 50gf
6. TRAVEL: 0.35 +0.2/-0.1mm
7. CONTACT RESISTANCE: 100 mΩ MAX.
8. INSULATION RESISTANCE: 100MΩ min.
9. DIELECTRIC STRENGTH: 250V VAC for 1 min
10. ELECTRICAL LIFE: 100,000 CYCLES
- ▲ 11. CONTACT MATERIAL: SILVER
- ▲ 12. ACTUATOR MATERIAL: SILICON
13. ▲ DENOTES CRITICAL PARAMETER
14. OPERATING TEMP: -40°C to 85°C



REV	ECO NO	DESCRIPTION	DATE	BY
D	ECO-100938	update operating temp to -40C to 85C	04/27/22	MW



OBJECT ID  
000020105

TITLE TL3336AF160Q				
SCALE	DATE	DR	DWG	REV
4:1	1/20/2021	JM	P158001	D