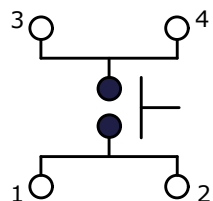
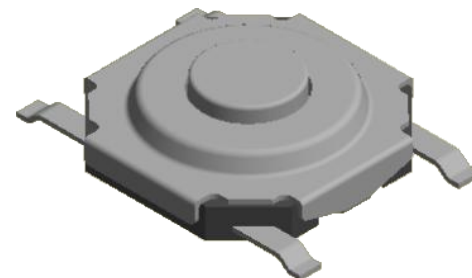


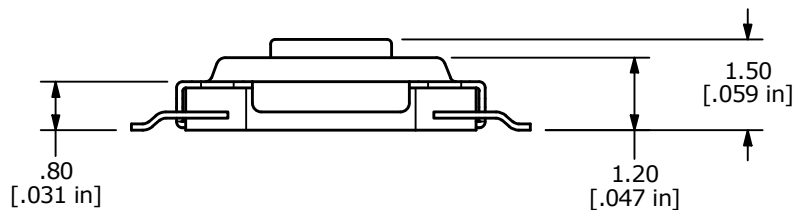
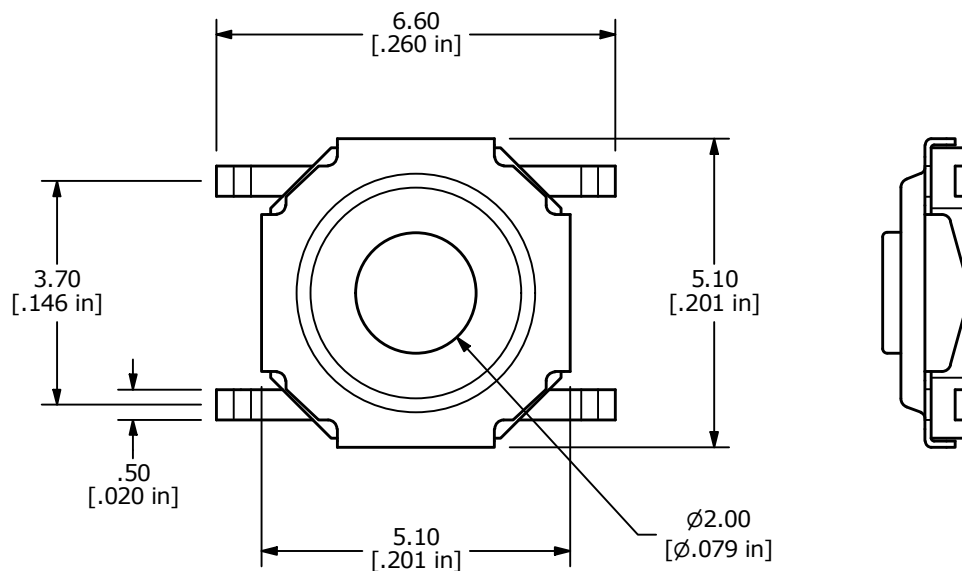
P.C. LAYOUT



CIRCUIT: SPST

NOTES:

1. ALL DIMENSIONS IN MM
2. GENERAL TOLERANCE: X.X = ±0.4  
X.XX = ±0.25
3. TERM. NUMBERS FOR REFERENCE ONLY.
4. RATING: 12VDC @50 MILLI-AMPS
- ▲ 5. OPERATING FORCE: 160 ±50 gms
6. TRAVEL: 0.25mm +0.1/-0.2mm
7. MECHANICAL/ELECTRICAL LIFE 100,000 CYCLES MIN.
- ▲ 8. CONTACT MATERIAL: SILVER
9. CONTACT RESISTANCE: 100 m Ohms max.
- ▲ 10. PACKAGE: TAPE AND REEL, 4000 PER REEL
11. ▲ DENOTES CRITICAL PARAMETER



J	24740	update model	2/9/21	MW
I	19531	UPDATE DIMENSIONS	12/15/10	BMA
H	18267	COVER TO ROUND, BASE TO BLACK	10/03/08	BLR
G	16662	UPDATED NOTES	11/15/06	TN
F	16347	CHANGED NOTE 6	08/21/06	BO
E	14668	REVISED AND REDRAWN	2/4/05	AR
REV	PCR NO	DESCRIPTION	DATE	BY

THE INFORMATION CONTAINED IN THIS DOCUMENT IS PROPRIETARY TO E-SWITCH AND IS NOT TO BE COPIED OR TRANSFERRED



TITLE TL3342F160QG

SCALE	DATE	DR	DWG	REV
8:1	10/3/2008	BLR	P010632	J