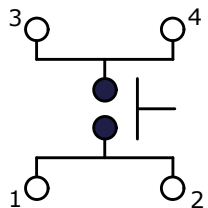
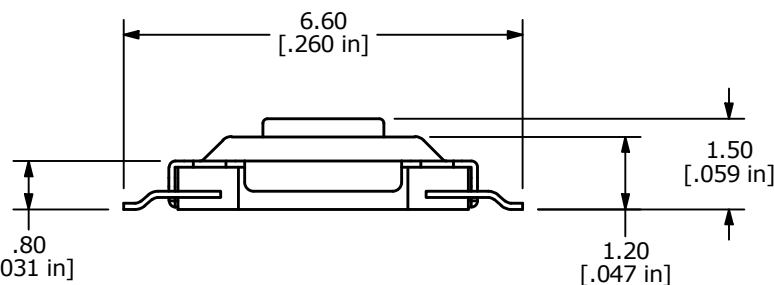
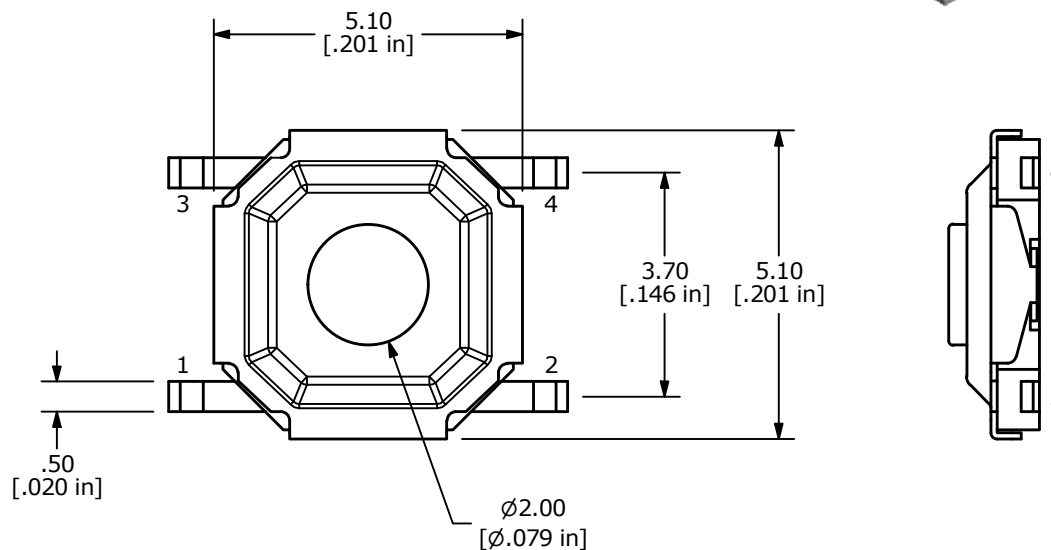
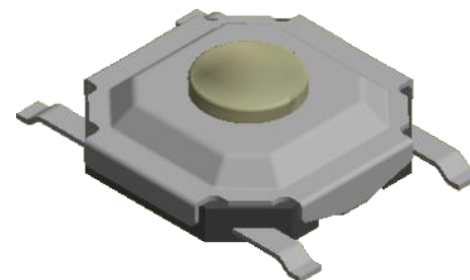


P.C. LAYOUT



CIRCUIT: SPST



- NOTES:
1. ALL DIMENSIONS IN MM
 2. GENERAL TOLERANCE: X.X = ±0.4
X.XX = ±0.25
 3. TERM. NUMBERS FOR REFERENCE ONLY.
 4. RATING: 12VDC @50 MILLI-AMPS
 - ▲ 5. OPERATING FORCE: 450 ± 50 gms
 6. TRAVEL: 0.25mm +0.1/-0.2mm
 7. MECHANICAL/ELECTRICAL LIFE 10,000 CYCLES MIN.
 - ▲ 8. CONTACT MATERIAL: SILVER
 9. CONTACT RESISTANCE: 500m Ohms max.
 - ▲ 10. PACKAGE: TAPE AND REEL, 4000 PER REEL
 11. ▲ DENOTES CRITICAL PARAMETER

C	24740	update model	2/9/21	MW
B	21633	ADDED ACTUATOR COLOR	10/15/14	AS
A	20647	New Release	6/13/12	rc
REV	PCR NO	DESCRIPTION	DATE	BY



TITLE TL3342F450QG				
SCALE	DATE	DR	DWG	REV
8:1	10/18/2012	rc	P010607	C

THE INFORMATION CONTAINED IN THIS DOCUMENT IS PROPRIETARY TO E-SWITCH AND IS NOT TO BE COPIED OR TRANSFERRED