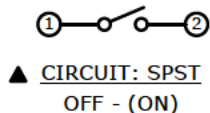
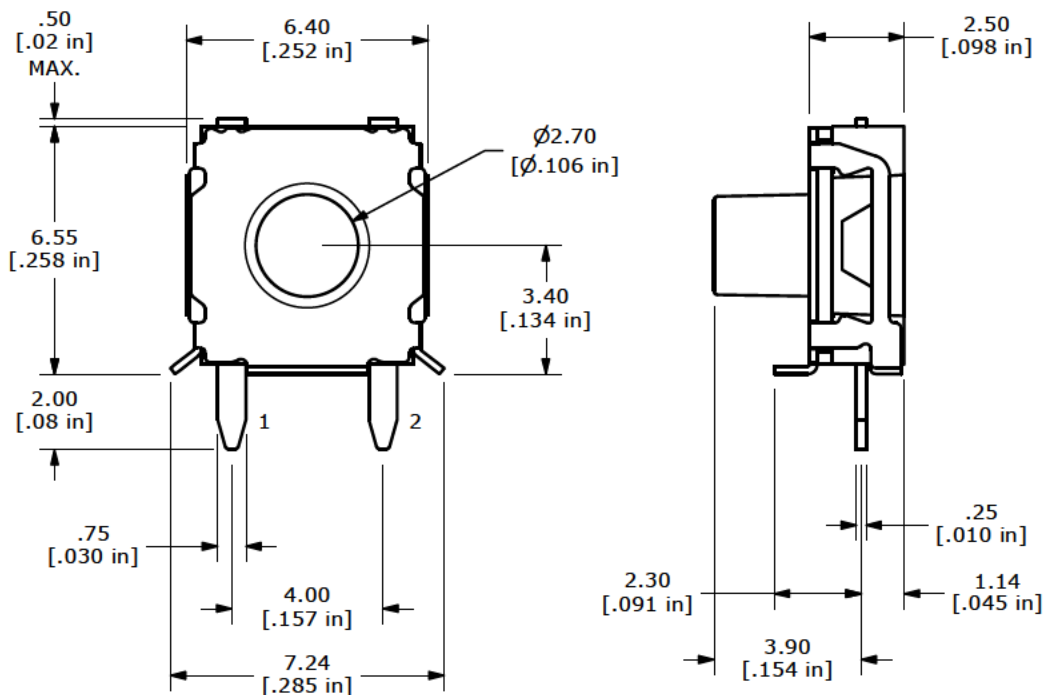
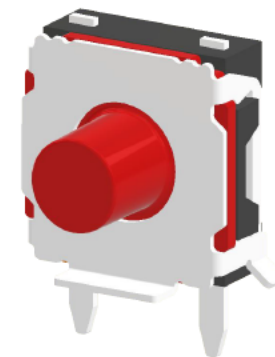
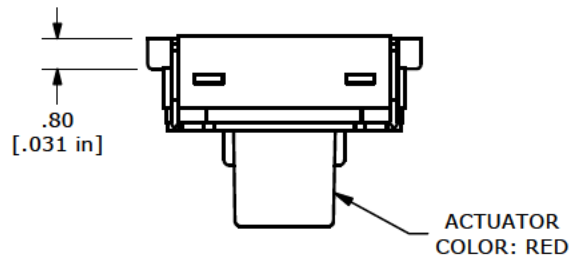


RECOMMENDED P.C.B. LAYOUT



NOTES:

1. ALL DIMENSIONS IN MM [INCH]
2. GENERAL TOLERANCE: X.X = ± 0.4
X.XX = ± 0.25
3. TERM. NUMBERS FOR REF. ONLY.
4. FUNCTION: SPST
5. RATING: 50mA @ 32VDC
- ▲ 6. OPERATING FORCE: 200 \pm 50gf
7. TRAVEL: 0.5 mm
8. CONTACT RESISTANCE: 100 m Ω MAX
- ▲ 9. CONTACT MATERIAL: SILVER
10. DIELECTRIC STRENGTH: 250VAC for 1 min
11. INSULATION RESISTANCE: 10 MEGA Ω min, @ 100VDC
12. ELECTRICAL LIFE: 500,000 CYCLES
13. ▲ DENOTES CRITICAL PARAMETER
14. OPERATING TEMP: -40°C to 85°C
15. PACKAGING: TAPE & REEL 550 PCS



REV	ECO NO	DESCRIPTION	DATE	BY
A	ECO-102973	RELEASE	10/30/24	JS



OBJECT ID
100128388

TITLE TL6155AF200Q				
SCALE	DATE	DR	DWG	REV
5:1	9/11/2024	JS	N615502	A