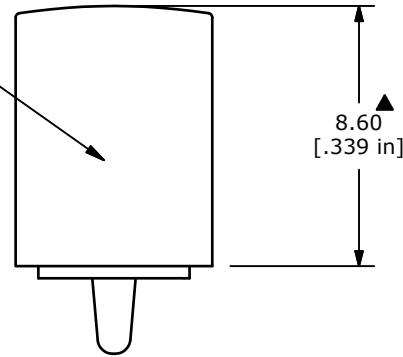
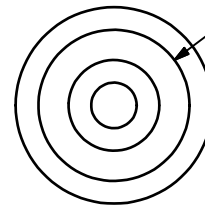


Ø6.50
[.256 in]

▲
BLACK



▲
8.60
[.339 in]



Ø5.00
[.197 in]

NOTE:

1. ALL DIMENSIONS IN MM [INCH]
2. GENERAL TOLERANCE: X.X=±0.4
X.XX=±0.25
3. ▲ DENOTES CRITICAL PARAMETER.
4. 2002/95/EC (ROHS) COMPLIANT



TITLE TL6200GBLK

A	21031	New Release	2/12/13	rc
REV	PCR NO	DESCRIPTION	DATE	BY

THE INFORMATION CONTAINED IN THIS DOCUMENT IS PROPRIETARY TO E-SWITCH AND IS NOT TO BE COPIED OR TRANSFERRED

SCALE 4:1	DATE 2/8/2013	DR rc	DWG T061005	REV A
--------------	------------------	----------	----------------	----------