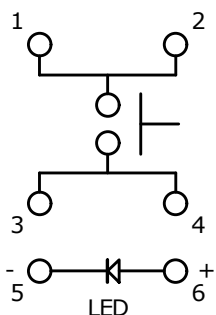


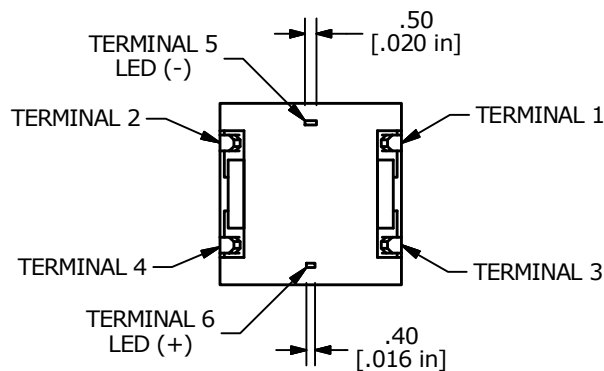
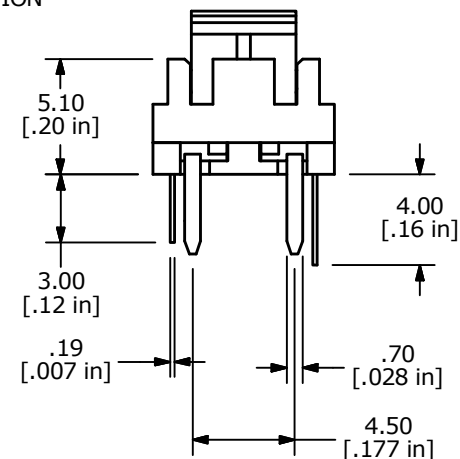
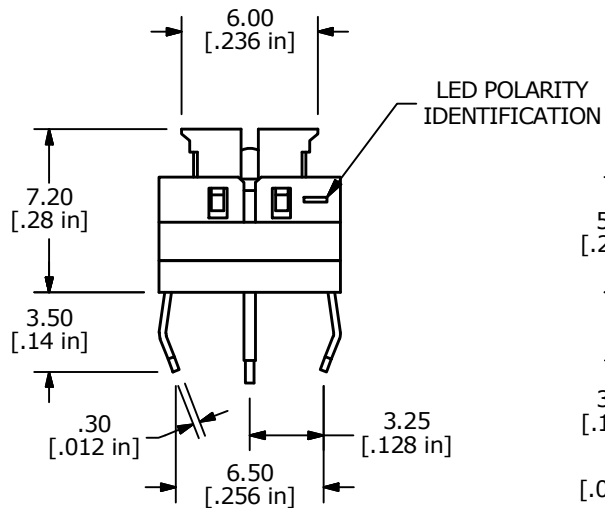
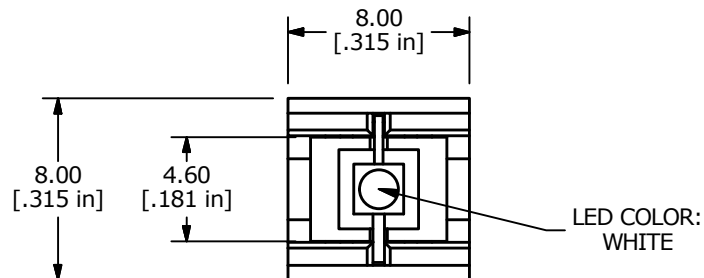
RECOMMENDED PCB LAYOUT



CIRCUIT: SPST

NOTE:

1. ALL DIMENSIONS IN MM [INCH]
2. GENERAL TOLERANCE: X.X = ±0.4
X.XX = ±0.25
3. TERMINAL NUMBERS FOR REF ONLY
4. CONTACT MATERIAL: SILVER
5. RATING: 50mA @ 12 VDC
6. CYCLE LIFE: 100,000 MAKE-AND-BREAK CYCLES
7. INSULATION RESISTANCE: 100 MΩ MIN.
8. DIELECTRIC STRENGTH: 250 V RMS
9. CONTACT RESISTANCE: 100mΩ MAX.
10. OPERATING TEMP.: -25°C to 70°C
11. ▲ DENOTES CRITICAL PARAMETER.
- ▲ 12. LED COLOR: WHITE
13. TRAVEL: 0.25 ± 0.10mm
14. ACTUATION FORCE: 350 ± 100 gf



LED PARAMETER	FORWARD CURRENT	FORWARD VOLTAGE @ 20mA	LUMINOUS INTENSITY
UNITS	mA	V	mcd
WHITE	20	3.2 TYP. - 3.6 MAX.	317 TYP.



C	24033	REMOVED NOTE 15. PACK..	9/10/19	MJR
B	23998	REMOVED NOTE 16. CAPS TO BE..	8/12/19	MJR
REV	PCR NO	DESCRIPTION	DATE	BY

TITLE TL6275AA2PQNW				
SCALE	DATE	DR	DWG	REV
3:1	7/26/2019	MW	T062753	C

THE INFORMATION CONTAINED IN THIS DOCUMENT IS PROPRIETARY TO E-SWITCH AND IS NOT TO BE COPIED OR TRANSFERRED