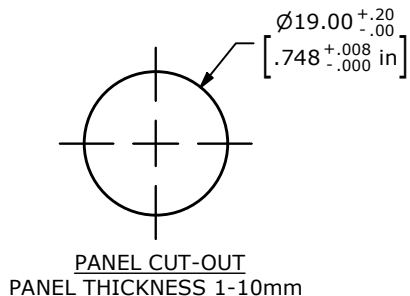
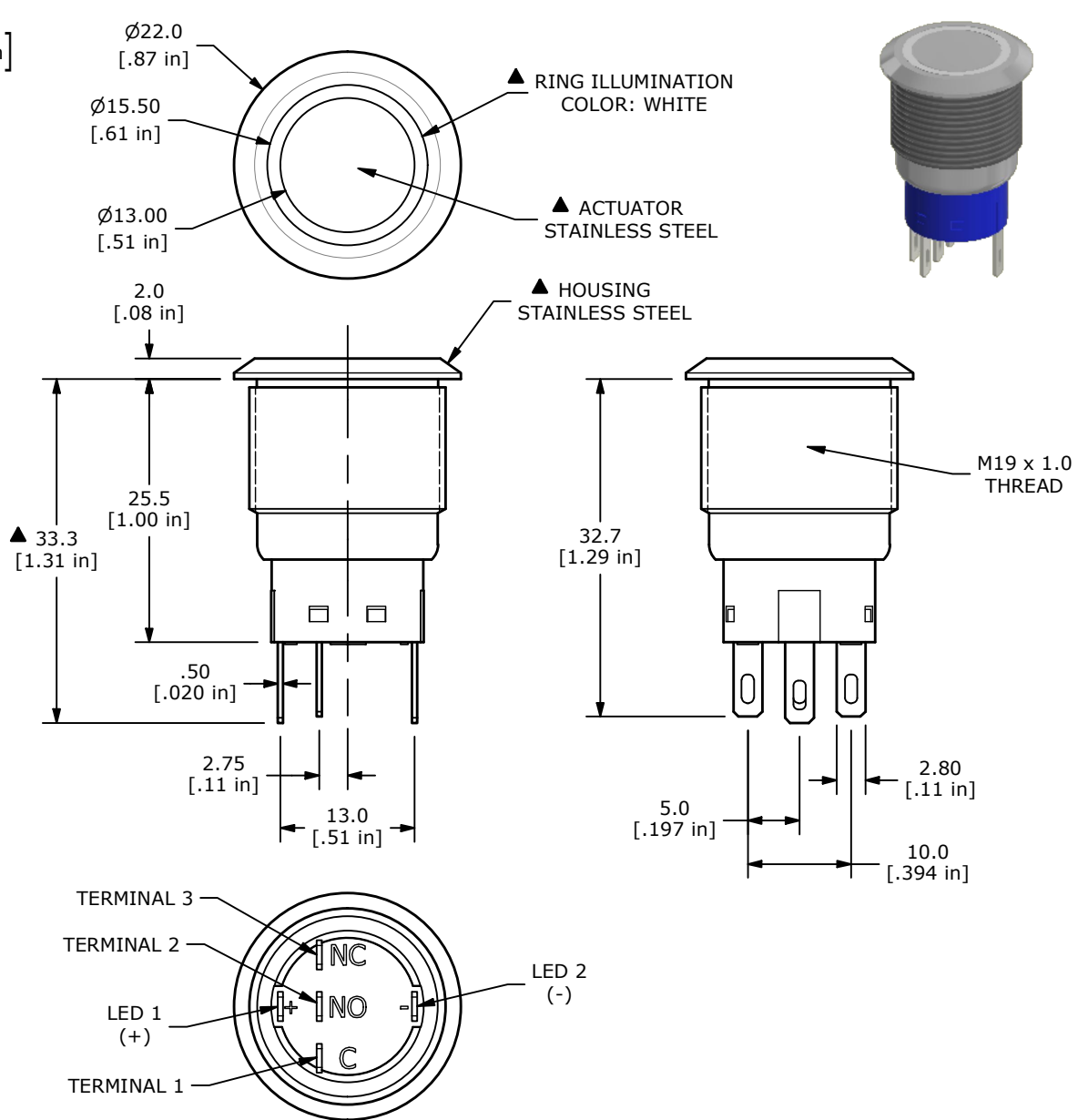


▲ SCHEMATIC  
ON-ON  
SPDT ILLUMINATED



- NOTE:
1. ALL DIMENSIONS IN MM [INCH]
  2. GENERAL TOLERANCE: X.X = ±0.4  
X.XX = ±0.25
  3. TERMINAL NUMBERS FOR REF ONLY
  - ▲ 4. CONTACT MATERIAL: SILVER
  5. RATING: 3A 250 VAC cUL
  6. ELECTRICAL LIFE: 50,000 MAKE-AND-BREAK CYCLES AT FULL LOAD.
  7. MECHANICAL LIFE: 500,000 CYCLES
  8. INSULATION RESISTANCE: 1,000 MΩ @ 500VDC MIN.
  9. DIELECTRIC STRENGTH: 2,000 VAC MIN. FOR 1 MINUTE
  10. CONTACT RESISTANCE: 50mΩ MAX. @ 1A 12VDC
  11. OPERATING TEMP.: -20°C to 55°C
  12. ▲ DENOTES CRITICAL PARAMETER.
  - ▲ 13. LAMP VOLTAGE: 20mA 12V
  14. TRAVEL: 3.2mm
  15. ACTUATION FORCE: 2.5 ± 1.0 N
  16. MOUNTING NUT TORQUE: 5-14 Nm
  17. INGRESS PROTECTION: IP67, IK10
  - ▲ 18. HARDWARE SUPPLIED: O-RING AND HEXNUT



REV	ECO NO	DESCRIPTION	DATE	BY	E-SWITCH®				OBJECT ID
A	ECO-103387	Release	04/23/25	MW	TITLE ULV4F23SS304				100130188
THE INFORMATION CONTAINED IN THIS DOCUMENT IS PROPRIETARY TO E-SWITCH AND IS NOT TO BE COPIED OR TRANSFERRED					SCALE	DATE	DR	DWG	REV
					3:2	4/22/2025	MW	T940180	A