

**SCHEMATIC**  
ON -(ON)

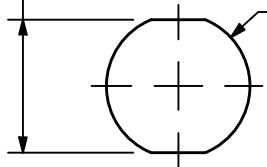
DPDT Illuminated

( ) DENOTES MOMENTARY FUNCTION

**NOTE:**

1. ALL DIMENSIONS IN MM [INCH]
2. GENERAL TOLERANCE: X.X = ±0.4  
X.XX = ±0.25
3. TERMINAL NUMBERS FOR REF ONLY
- ▲ 4. CONTACT MATERIAL: SILVER
5. RATING: 3A 250 VAC cUL
6. ELECTRIC LIFE: 50,000 MAKE-AND-BREAK CYCLES AT FULL LOAD.
7. MECHANICAL LIFE: 1,000,000 CYCLES.
8. INSULATION RESISTANCE: 1,000 MΩ @ 500VDC MIN.
9. DIELECTRIC STRENGTH: 2,000 VAC MIN. FOR 1 MINUTE
10. CONTACT RESISTANCE: 50mΩ MAX. @ 1A 12VDC
11. OPERATING TEMP.: -20°C to 55°C
12. ▲ DENOTES CRITICAL PARAMETER.
- ▲ 13. LAMP VOLTAGE: 20mA 24V
14. TRAVEL: 3.2mm
15. ACTUATION FORCE: 3.5 ± 1.0 N
16. MOUNTING NUT TORQUE: 5-14 Nm
17. INGRESS PROTECTION: IP67. IK10
18. HARDWARE SUPPLIED: O-RING AND HEXNUT

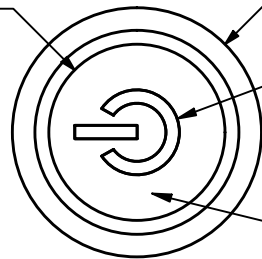
17.60<sup>+0.20</sup><sub>-.00</sub>  
[.69<sup>+0.008</sup><sub>-.000</sub> in]



**PANEL CUT-OUT**  
PANEL THICKNESS 1-10mm

Ø19.00<sup>+0.20</sup><sub>-.00</sub>  
[Ø.748<sup>+0.008</sup><sub>-.000</sub> in]

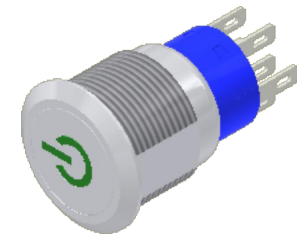
Ø15.50  
[.61 in]



Ø22.00  
[.87 in]

▲ POWER SYMBOL  
ILLUMINATION: GREEN

▲ ACTUATOR  
STAINLESS STEEL

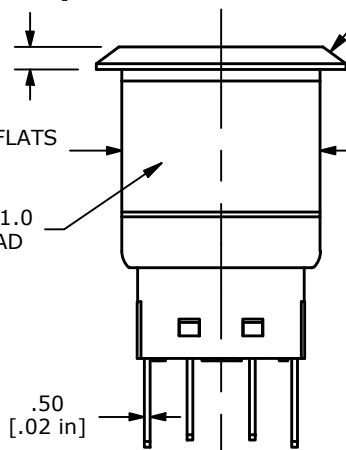


2.0  
[.08 in]

▲ HOUSING  
STAINLESS STEEL

17.50 FLATS  
[.69 in]

M19 x 1.0  
THREAD



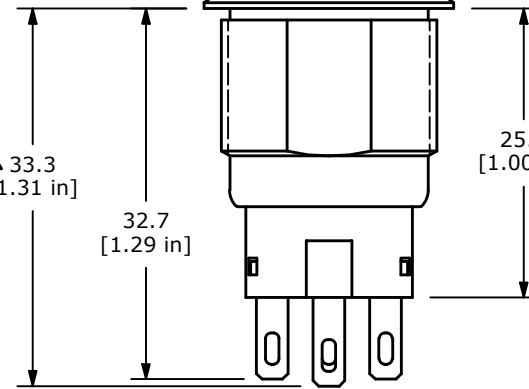
.50  
[.02 in]

2.75  
[.11 in]

13.00  
[.51 in]

▲ 33.3  
[1.31 in]

32.7  
[1.29 in]



25.5  
[1.00 in]

5.00  
[.197 in]

2.80  
[.110 in]

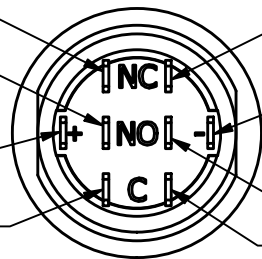
10.00  
[.394 in]

TERMINAL 3

TERMINAL 2

LED 1  
(+)

TERMINAL 1



TERMINAL 6

LED 2  
(-)

TERMINAL 5

TERMINAL 4

REV	ECO NO	DESCRIPTION	DATE	BY
A	ECO-103329	RELEASE	03/28/25	JS

			OBJECT ID 100129982	
TITLE ULV4F2HSS535				

SCALE 3:2	DATE 3/25/2025	DR JS	DWG T940179	REV A
--------------	-------------------	----------	----------------	----------