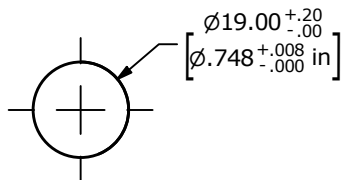
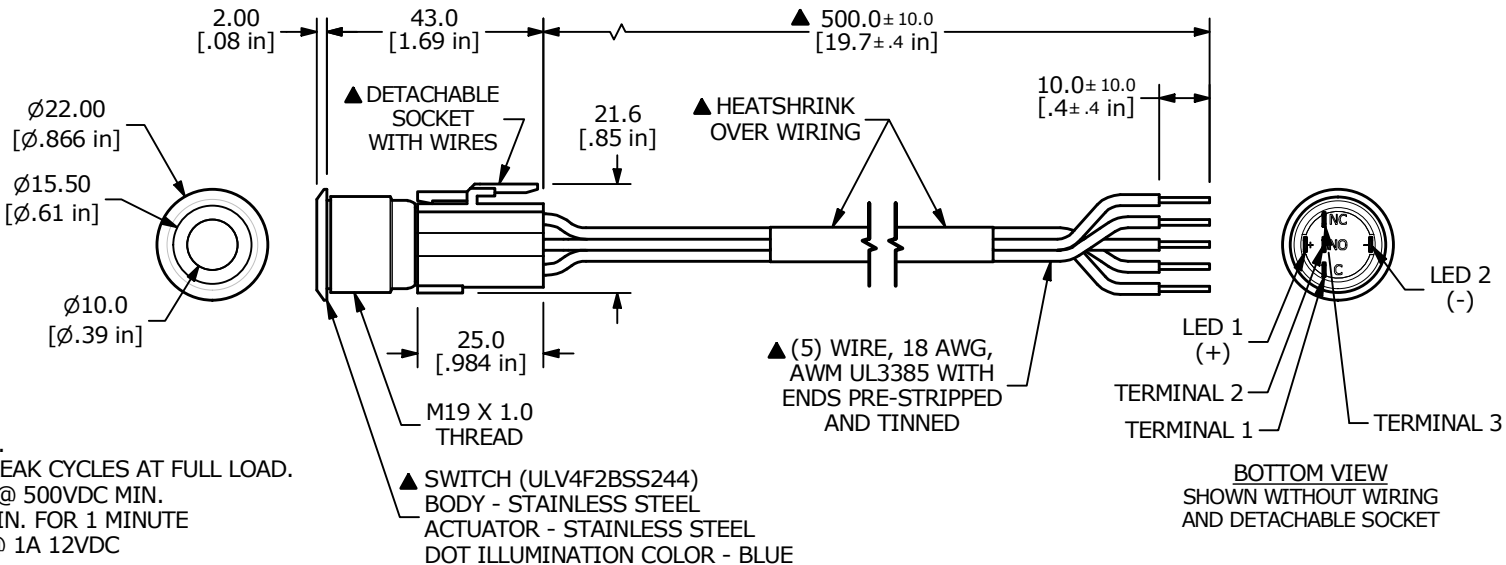
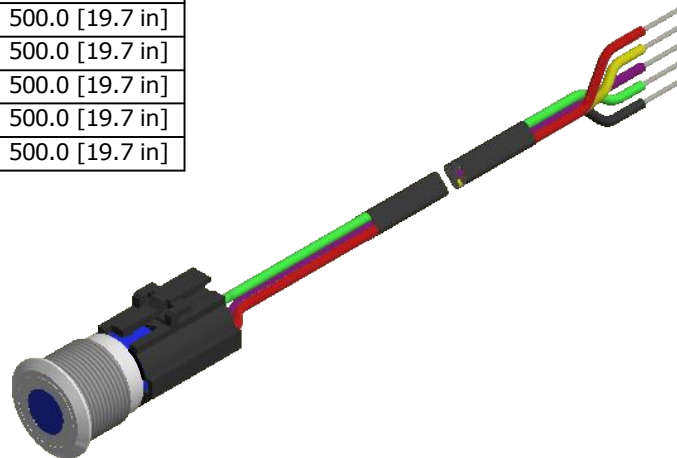


SCHEMATIC  
SPDT ILLUMINATED  
FUNCTION ON-(ON)  
( ) = MOMENTARY



RECOMMENDED PANEL CUTOUT  
MAX. PANEL THICKNESS 10.0 [.39 in]

SWITCH	WIRE	LENGTH
SW1-1	WIRE, 18 AWG AWM UL3385, YELLOW	500.0 [19.7 in]
SW1-2	WIRE, 18 AWG AWM UL3385, PURPLE	500.0 [19.7 in]
SW1-3	WIRE, 18 AWG AWM UL3385, GREEN	500.0 [19.7 in]
SW1- (-)	WIRE, 18 AWG AWM UL3385, BLACK	500.0 [19.7 in]
SW1- (+)	WIRE, 18 AWG AWM UL3385, RED	500.0 [19.7 in]



- NOTES:
- DIMENSIONS IN MM [INCH]
  - GENERAL TOLERANCE: X.X ± 0.4  
X.XX ± 0.25
  - TERMINAL NUMBERS FOR REF ONLY
  - CONTACT MATERIAL: SILVER
  - RATING: 3A 250 VAC cUL
  - OPERATING TEMP.: -20°C to 55°C
  - LAMP VOLTAGE: 20mA 12V
  - TRAVEL: 3.2mm
  - ACTUATION FORCE: 2.5 ± 1.0 N
  - MOUNTING NUT TORQUE: 5-14 Nm
  - INGRESS PROTECTION: IP67, IK10
  - MECHANICAL LIFE: 1,000,000 CYCLES.
  - ELECTRIC LIFE: 50,000 MAKE-AND-BREAK CYCLES AT FULL LOAD.
  - INSULATION RESISTANCE: 1,000 MΩ @ 500VDC MIN.
  - DIELECTRIC STRENGTH: 2,000 VAC MIN. FOR 1 MINUTE
  - CONTACT RESISTANCE: 50mΩ MAX. @ 1A 12VDC
  - ▲ DENOTES CRITICAL PARAMETER.
  - ALL MATERIAL SHALL BE ROHS COMPLIANT
  - ▲ 19. SUPPLIED HARDWARE: O-RING AND HEXNUT
  - ▲ 20. USE P/N's DESIGNATED OR ENGINEERING APPROVED EQUIVALENTS.
  - ▲ 21. DETACHABLE SOCKET MUST BE ATTACHED AFTER THE SWITCH IS SECURED TO THE PANEL WITH THE O-RING AND HEXNUT.

REV	ECO NO	DESCRIPTION	DATE	BY
B	ECO-100377	UPDATE PANEL CUTOUT	12/10/21	JS

		OBJECT ID 000029125
TITLE ULV4FPBSS244		
SCALE 2:3	DATE 3/23/2021	DR MW
DWG T940718	REV B	