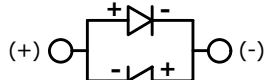
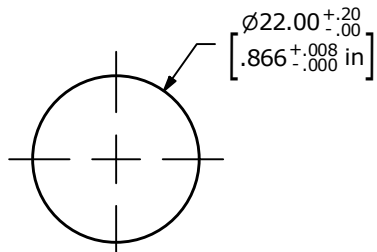


YELLOW (FORWARD)

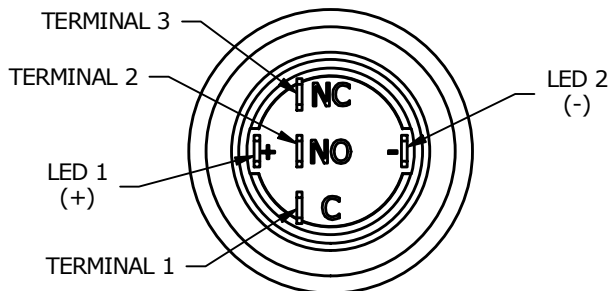
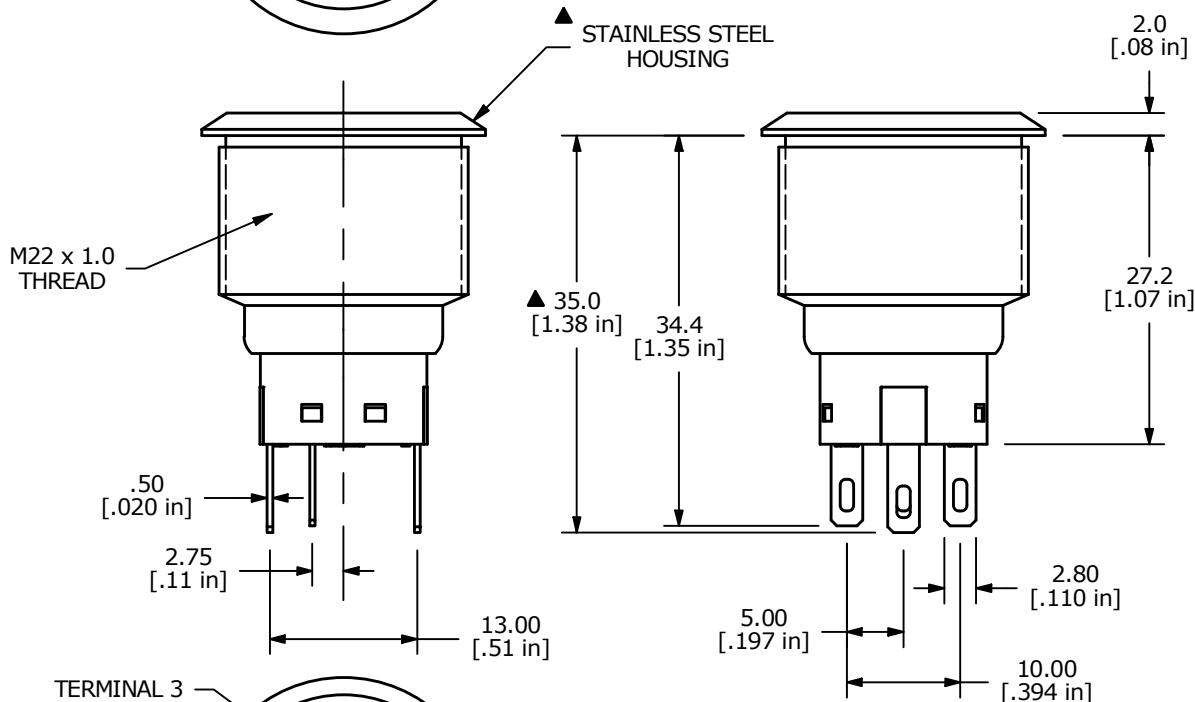
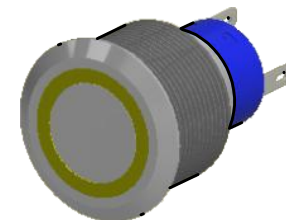
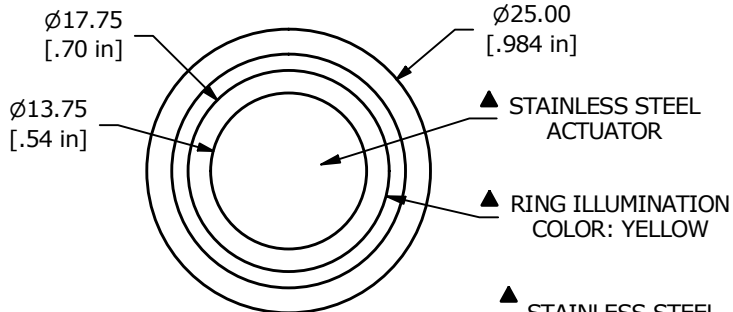


YELLOW (REVERSE)

SCHEMATIC  
ON - ON  
SPDT ILLUMINATED



PANEL CUT-OUT  
PANEL THICKNESS 1-10mm



NOTE:

1. ALL DIMENSIONS IN MM [INCH]
2. GENERAL TOLERANCE: X.X = ±0.4  
X.XX = ±0.25
3. TERMINAL NUMBERS FOR REF ONLY
- ▲ 4. CONTACT MATERIAL: SILVER
5. RATING: 3A 250 VAC cUL
6. ELECTRIC LIFE: 50,000 MAKE-AND-BREAK CYCLES AT FULL LOAD.
7. MECHANICAL LIFE: 500,000 CYCLES.
8. INSULATION RESISTANCE: 1,000 MΩ @ 500VDC MIN.
9. DIELECTRIC STRENGTH: 2,000 VAC MIN. FOR 1 MINUTE
10. CONTACT RESISTANCE: 50mΩ MAX. @ 1A 12VDC
11. OPERATING TEMP.: -20°C to 55°C
12. ▲ DENOTES CRITICAL PARAMETER.
- ▲ 13. LAMP VOLTAGE: 20mA 24V
14. TRAVEL: 3.2mm
15. ACTUATION FORCE: 2.5 ± 1.0 N
- 16 MOUNTING NUT TORQUE: 5-14 Nm
17. INGRESS PROTECTION: IP67, IK10
18. HARDWARE SUPPLIED: O-RING AND HEXNUT

REV	ECO NO	DESCRIPTION	DATE	BY
A	ECO-101951	RELEASE	05/30/23	JS



OBJECT ID  
100124804

TITLE ULV7F23SS355		SCALE 3:2	DATE 5/25/2023	DR JS	DWG T970093	REV A
-----------------------	--	--------------	-------------------	----------	----------------	----------