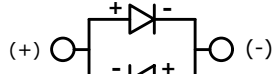


GREEN (FORWARD)



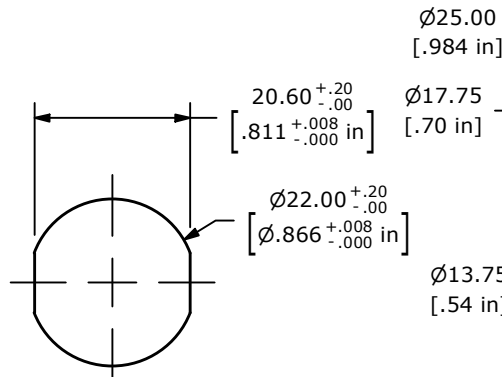
GREEN (REVERSE)

SCHEMATIC  
ON - (ON)

SPDT ILLUMINATED

( ) DENOTED MOMENTARY FUNCTION

PANEL CUT-OUT  
PANEL THICKNESS 1-10mm



Ø25.00  
[.984 in]

Ø17.75  
[.70 in]

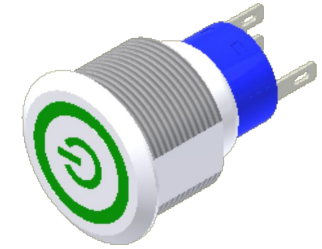
20.60<sup>+0.20</sup><sub>-.00</sub>  
[.811<sup>+0.008</sup><sub>-.000</sub> in]

Ø22.00<sup>+0.20</sup><sub>-.00</sub>  
[Ø.866<sup>+0.008</sup><sub>-.000</sub> in]

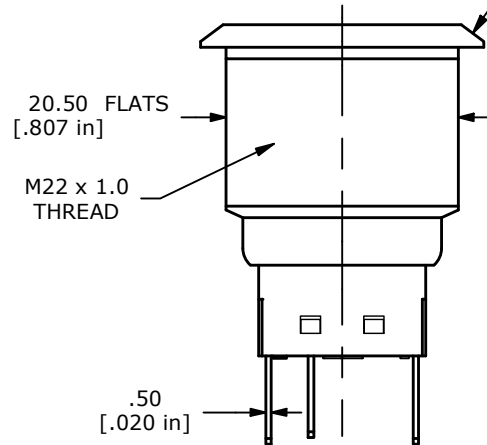
Ø13.75  
[.54 in]

▲ RING/POWER SYMBOL  
ILLUMINATION COLOR: GREEN  
with  
▲ LENS COLOR: GREEN

▲ STAINLESS STEEL  
ACTUATOR



▲ STAINLESS STEEL  
HOUSING



20.50 FLATS  
[.807 in]

M22 x 1.0  
THREAD

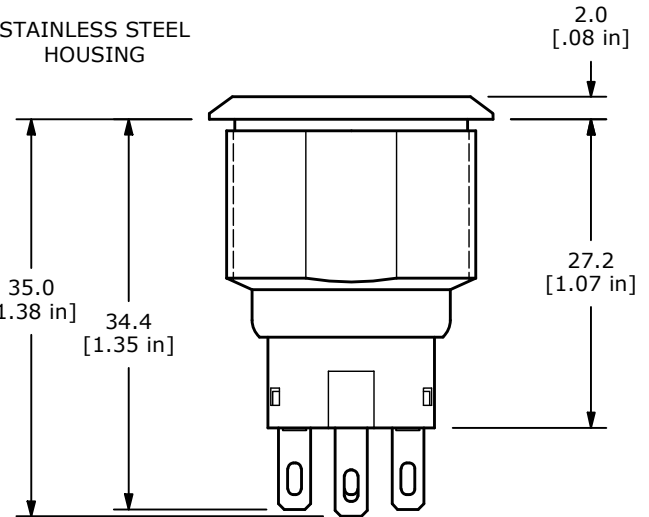
.50  
[.020 in]

2.75  
[.11 in]

13.00  
[.51 in]

▲ 35.0  
[1.38 in]

34.4  
[1.35 in]



2.0  
[.08 in]

27.2  
[1.07 in]

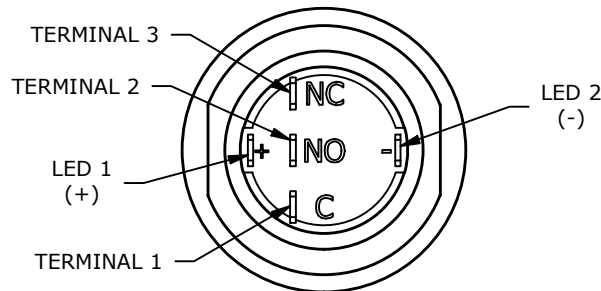
5.00  
[.197 in]

2.80  
[.110 in]

10.00  
[.394 in]

NOTE:

1. ALL DIMENSIONS IN MM [INCH]
2. GENERAL TOLERANCE: X.X = ±0.4  
X.XX = ±0.25
3. TERMINAL NUMBERS FOR REF ONLY
- ▲ 4. CONTACT MATERIAL: SILVER
5. RATING: 3A 250 VAC cUL
6. ELECTRIC LIFE: 50,000 MAKE-AND-BREAK CYCLES AT FULL LOAD.
7. MECHANICAL LIFE: 1,000,000 CYCLES.
8. INSULATION RESISTANCE: 1,000 MΩ @ 500VDC MIN.
9. DIELECTRIC STRENGTH: 2,000 VAC MIN. FOR 1 MINUTE
10. CONTACT RESISTANCE: 50mΩ MAX. @ 1A 12VDC
11. OPERATING TEMP.: -20°C to 55°C
12. ▲ DENOTES CRITICAL PARAMETER.
- ▲ 13. LAMP VOLTAGE: 24V
14. TRAVEL: 3.2mm
15. ACTUATION FORCE: 2.5 ± 1.0 N
16. MOUNTING NUT TORQUE: 5-14 Nm
17. INGRESS PROTECTION: IP67, IK10
18. HARDWARE SUPPLIED: O-RING AND HEXNUT



REV	ECO NO	DESCRIPTION	DATE	BY
A	ECO-102086	RELEASE	07/10/23	JS



OBJECT ID  
100125059

TITLE ULV7F2BSS635				
SCALE 3:2	DATE 7/6/2023	DR JS	DWG T970096	REV A