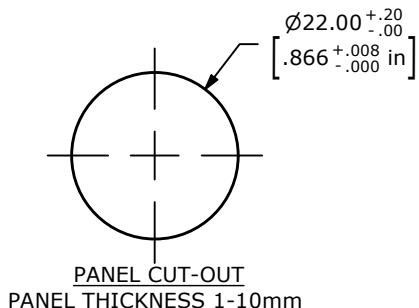
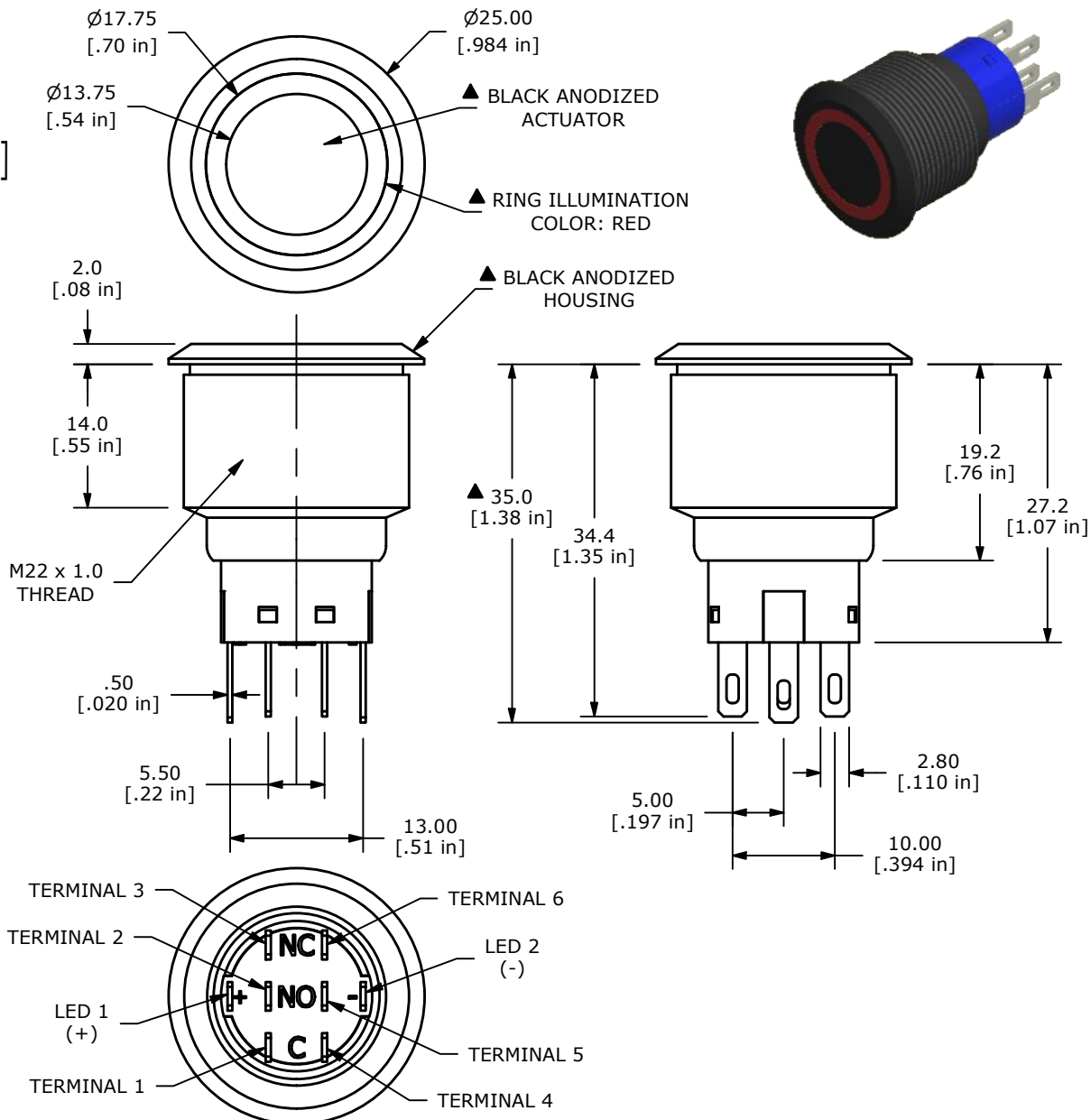


**SCHMATIC**  
▲ ON - (ON)  
DPDT Illuminated  
( ) DENOTES MOMENTARY FUNCTION



- NOTE:**
1. ALL DIMENSIONS IN MM [INCH]
  2. GENERAL TOLERANCE: X.X =  $\pm 0.4$   
X.XX =  $\pm 0.25$
  3. TERMINAL NUMBERS FOR REF ONLY
  - ▲ 4. CONTACT MATERIAL: SILVER
  5. RATING: 3A 250 VAC cUL
  6. ELECTRIC LIFE: 50,000 MAKE-AND-BREAK CYCLES AT FULL LOAD.
  7. MECHANICAL LIFE: 1,000,000 CYCLES.
  8. INSULATION RESISTANCE: 1,000 M $\Omega$  @ 500VDC MIN.
  9. DIELECTRIC STRENGTH: 2,000 VAC MIN. FOR 1 MINUTE
  10. CONTACT RESISTANCE: 50m $\Omega$  MAX. @ 1A 12VDC
  11. OPERATING TEMP.: -20°C to 55°C
  12. ▲ DENOTES CRITICAL PARAMETER.
  - ▲ 13. LAMP VOLTAGE: 20mA 3V
  14. TRAVEL: 3.2mm
  15. ACTUATION FORCE: 3.5  $\pm$  1.0 N
  16. MOUNTING NUT TORQUE: 5-14 Nm
  17. INGRESS PROTECTION: IP67
  18. HARDWARE SUPPLIED: O-RING AND HEXNUT



REV	ECO NO	DESCRIPTION	DATE	BY
C	ECO-100297	UPDATE PANEL CUTOUT	09/23/21	JM

OBJECT ID  
**000026290**

**E-SWITCH®**

TITLE **ULV7F2H11311**

SCALE <b>3:2</b>	DATE <b>7/24/2015</b>	DR <b>RC</b>	DWG <b>T970007</b>	REV <b>C</b>
---------------------	--------------------------	-----------------	-----------------------	-----------------