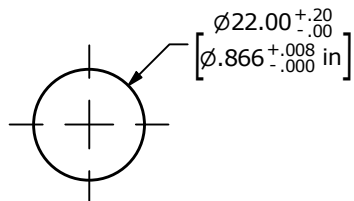
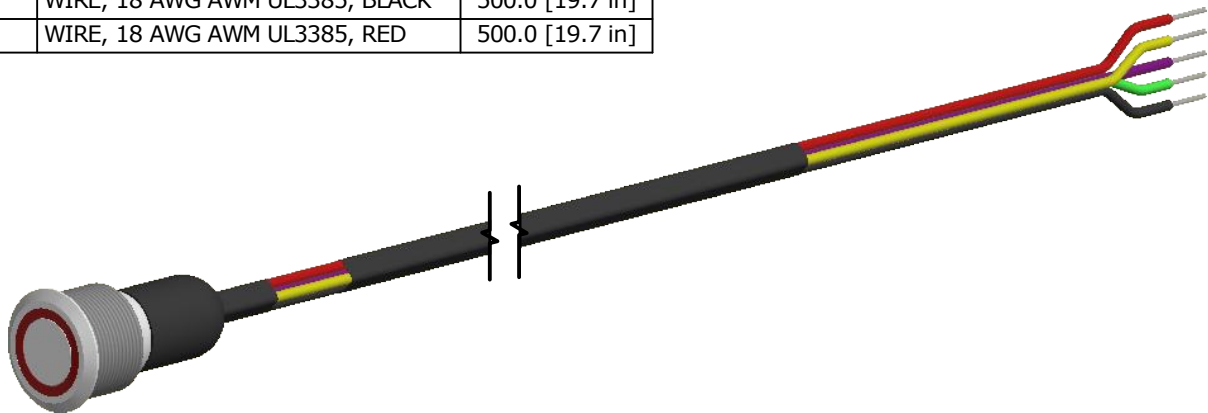


SCHEMATIC
ON - (ON) - SPDT ILLUMINATED
() DENOTES MOMENTARY

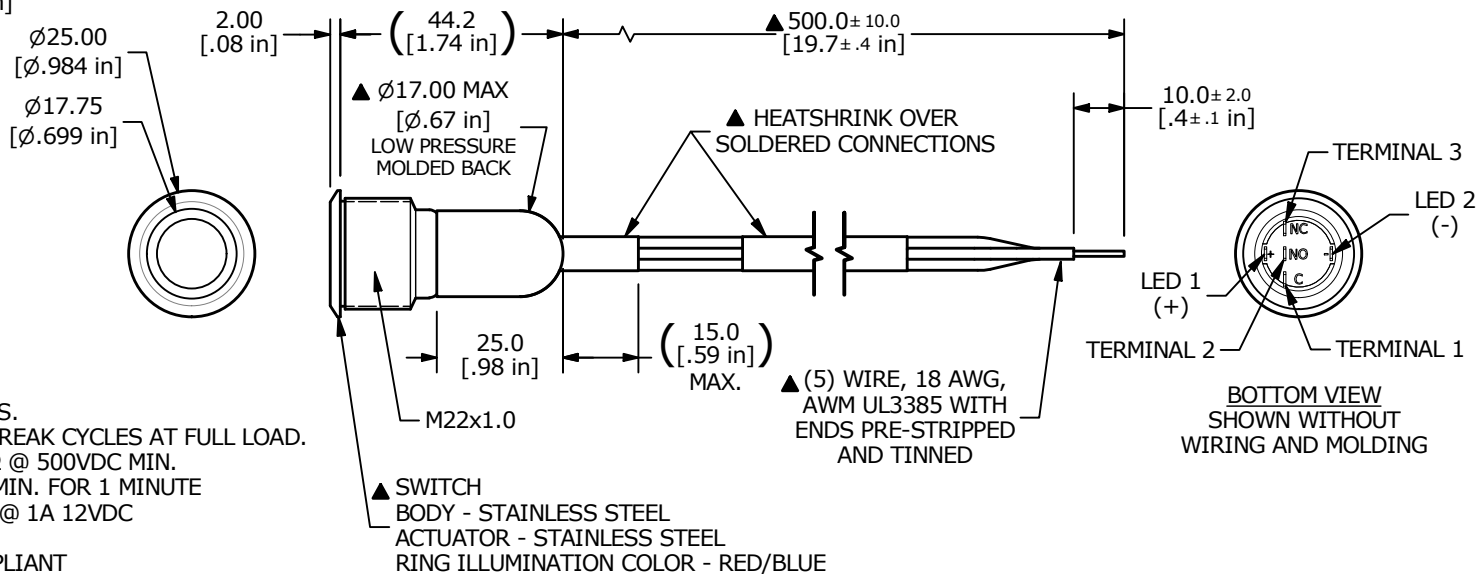


RECOMMENDED PANEL CUTOUT
MAX. PANEL THICKNESS 10.0 [.39 in]

SWITCH	WIRE	LENGTH
SW1-1	WIRE, 18 AWG AWM UL3385, YELLOW	500.0 [19.7 in]
SW1-2	WIRE, 18 AWG AWM UL3385, PURPLE	500.0 [19.7 in]
SW1-3	WIRE, 18 AWG AWM UL3385, GREEN	500.0 [19.7 in]
SW1- (-)	WIRE, 18 AWG AWM UL3385, BLACK	500.0 [19.7 in]
SW1- (+)	WIRE, 18 AWG AWM UL3385, RED	500.0 [19.7 in]



- ANOTES:**
1. DIMENSIONS IN MM [INCH]
 2. GENERAL TOLERANCE: X.X = ±0.4
X.XX = ±0.25
 3. TERMINAL NUMBERS FOR REF ONLY
 4. CONTACT MATERIAL: SILVER
 5. RATING: 3A 250 VAC cUL
 6. OPERATING TEMP.: -20°C to 55°C
 - ▲ 7. LAMP VOLTAGE: 20mA 24V
 8. TRAVEL: 3.2mm
 9. ACTUATION FORCE: 5.5 ±1.0 N
 10. MOUNTING NUT TORQUE: 5-14 Nm
 11. INGRESS PROTECTION: IP67, IK10
 12. MECHANICAL LIFE: 1,000,000 CYCLES.
 13. ELECTRIC LIFE: 50,000 MAKE-AND-BREAK CYCLES AT FULL LOAD.
 14. INSULATION RESISTANCE: 1,000 MΩ @ 500VDC MIN.
 15. DIELECTRIC STRENGTH: 2,000 VAC MIN. FOR 1 MINUTE
 16. CONTACT RESISTANCE: 50mΩ MAX. @ 1A 12VDC
 17. ▲ DENOTES CRITICAL PARAMETER.
 18. ALL MATERIAL SHALL BE ROHS COMPLIANT
 - ▲ 19. SUPPLIED HARDWARE: O-RING AND HEXNUT
 - ▲ 20. USE P/N's DESIGNATED OR ENGINEERING APPROVED EQUIVALENTS.



REV	ECO NO	DESCRIPTION	DATE	BY
A	ECO-101258	RELEASE	09/20/22	JS



OBJECT ID
100122743

TITLE ULV7FMBSS3H5		SCALE 2:3	DATE 9/15/2022	DR JS	DWG T970912	REV A
-----------------------	--	--------------	-------------------	----------	----------------	----------