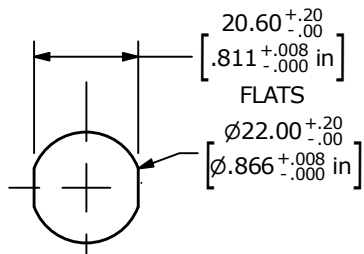
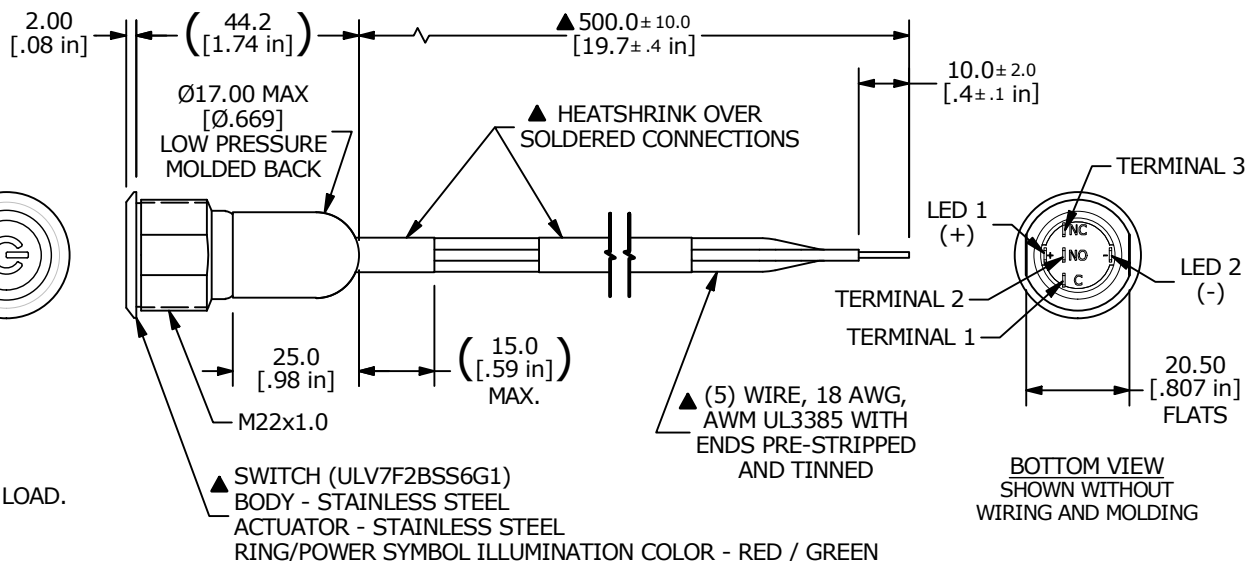
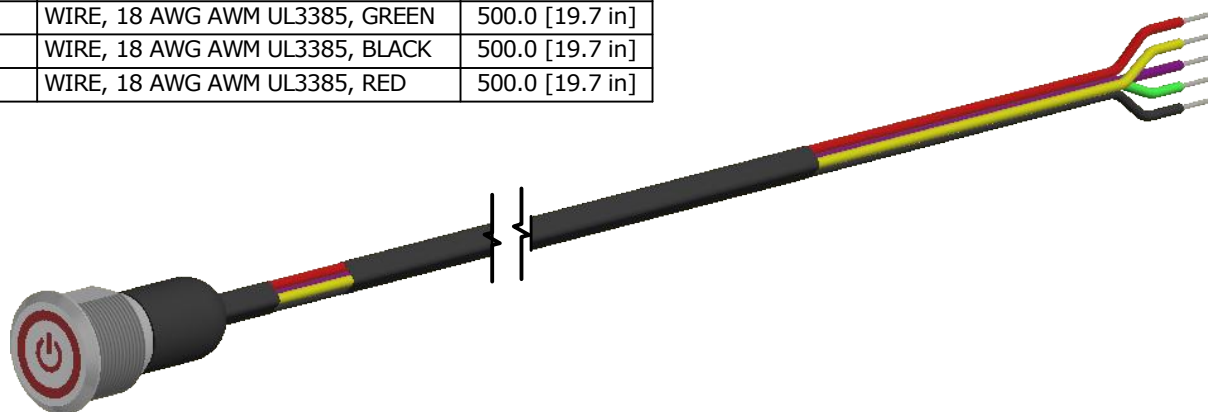


SCHEMATIC
 ON - (ON) - SPDT ILLUMINATED
 () DENOTES MOMENTARY



RECOMMENDED PANEL CUTOUT
 MAX. PANEL THICKNESS 10.0 [.39 in]

SWITCH	WIRE	LENGTH
SW1-1	WIRE, 18 AWG AWM UL3385, YELLOW	500.0 [19.7 in]
SW1-2	WIRE, 18 AWG AWM UL3385, PURPLE	500.0 [19.7 in]
SW1-3	WIRE, 18 AWG AWM UL3385, GREEN	500.0 [19.7 in]
SW1- (-)	WIRE, 18 AWG AWM UL3385, BLACK	500.0 [19.7 in]
SW1- (+)	WIRE, 18 AWG AWM UL3385, RED	500.0 [19.7 in]



- NOTES:**
- DIMENSIONS IN MM [INCH]
 - GENERAL TOLERANCE: X.X = \pm 0.4
 X.XX = \pm 0.25
 - TERMINAL NUMBERS FOR REF ONLY
 - CONTACT MATERIAL: SILVER
 - RATING: 3A 250 VAC cUL
 - OPERATING TEMP.: -20°C to 55°C
 - Δ LAMP VOLTAGE: 20mA 3V
 - TRAVEL: 3.2mm
 - ACTUATION FORCE: 5.5 \pm 1.0 N
 - MOUNTING NUT TORQUE: 5-14 Nm
 - INGRESS PROTECTION: IP67, IK10
 - MECHANICAL LIFE: 1,000,000 CYCLES.
 - ELECTRIC LIFE: 50,000 MAKE-AND-BREAK CYCLES AT FULL LOAD.
 - INSULATION RESISTANCE: 1,000 M Ω @ 500VDC MIN.
 - DIELECTRIC STRENGTH: 2,000 VAC MIN. FOR 1 MINUTE
 - CONTACT RESISTANCE: 50m Ω MAX. @ 1A 12VDC
 - Δ DENOTES CRITICAL PARAMETER.
 - ALL MATERIAL SHALL BE ROHS COMPLIANT
 - Δ 19. SUPPLIED HARDWARE: O-RING AND HEXNUT
 - Δ 20. USE P/N'S DESIGNATED OR ENGINEERING APPROVED EQUIVALENTS.

REV	ECO NO	DESCRIPTION	DATE	BY	E-SWITCH®				OBJECT ID
B	ECO-100321	UPDATE PANEL CUTOUT	09/29/21	JS	TITLE ULV7FMBSS6G1				000026390
THE INFORMATION CONTAINED IN THIS DOCUMENT IS PROPRIETARY TO E-SWITCH AND IS NOT TO BE COPIED OR TRANSFERRED					SCALE	DATE	DR	DWG	REV
					2:3	1/14/2021	MW	T970911	B