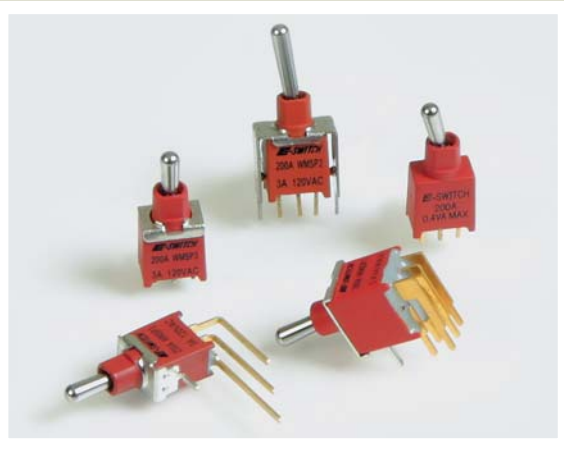


SERIES 200A SWITCHES

TOGGLE SWITCHES - PROCESS SEALED SUB-MINIATURE



FEATURES & BENEFITS

- ▶ Variety of switching functions
- ▶ Sub-miniature
- ▶ Multiple actuator & bushing options
- ▶ Sealed to IP67

APPLICATIONS/MARKETS

- ▶ Telecommunications
- ▶ Instrumentation
- ▶ Networking
- ▶ Medical equipment

SPECIFICATIONS

Contact Rating:	Dependent on contact material
Life Expectancy:	50,000 make-and-break cycles at full load
Contact Resistance:	Below 20 m typ. initial @ 2-4 VDC, 100 mA, for both silver and gold plated contacts
Insulation Resistance:	1,000 MΩ min.
Dielectric Strength:	1,000 V RMS min. @ sea level
Operating Temperature:	-30° C to 85° C
Seal Rated:	IP67

MATERIALS

Case & Bushing:	Glass filled nylon, flame retardant, heat stabilized (UL 94-V0)
Actuator:	Brass, chrome plated, internal O-ring seal standard for all actuators
Switch Support:	Brass, tin plated
Contacts / Terminals:	Silver or gold plated copper alloy
Terminal Seal:	Epoxy

HOW TO ORDER

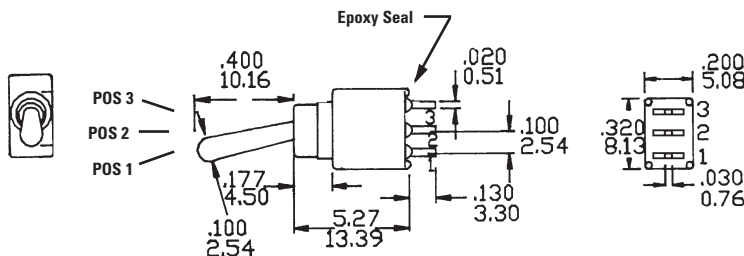
SERIES	MODEL NO.	ACTUATOR	BUSHING	TERMINATION	CONTACT MATERIAL	SEAL
200A	WMSP1 WMSP2 WMSP3 WMSP4 WMSP5 WMSP6* WMDP1 WMDP2 WMDP3	T1 T2 T3	A1	M2 M6 M61 M7 VS2	Q = Silver R = Gold	E = Epoxy Sealed at Base of Terminal

Example Ordering Number
200A-WMSP2-T1-A1-VS2-Q-E

*Only available with M2 or VS2 termination

Specifications subject to change without notice.4.21.2022

SPDT



2 Comm.
1 3

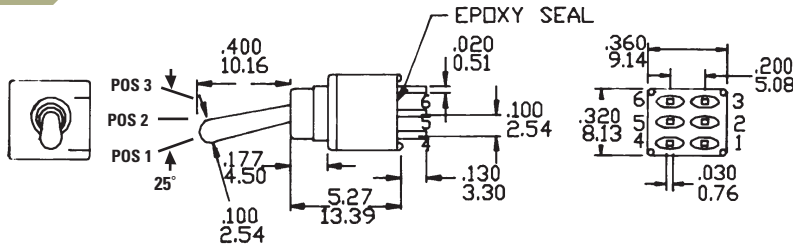
SCHEMATIC

Model No.	POS 1	POS 2	POS 3
WMSP-1	ON	NONE	ON
WMSP-2	ON	NONE	(ON)
WMSP-3	ON	OFF	ON
WMSP-4	(ON)	OFF	(ON)
WMSP-5	ON	OFF	(ON)
Term. Comm.	2-3	OPEN	2-1
WMSP-6	OFF	NONE	ON
Term. Comm.	OPEN	NONE	3-1

() = Momentary

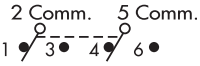


DPDT



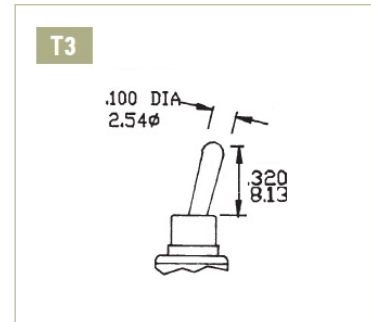
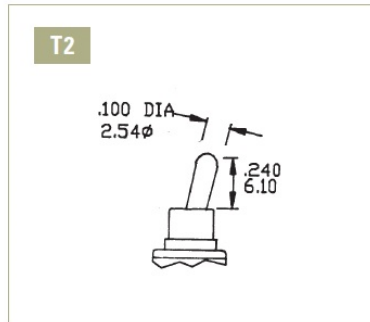
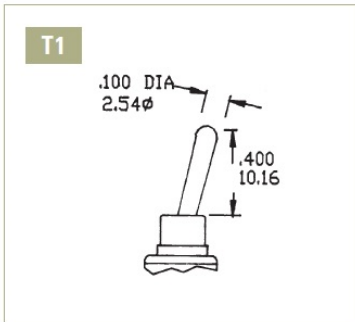
Model No.	POS 1	POS 2	POS 3
WMDP-1	ON	NONE	ON
WMDP-2	ON	NONE	(ON)
WMDP-3	ON	OFF	ON
Term. Comm.	2-3,5-6	OPEN	2-1,5-4

() = Momentary

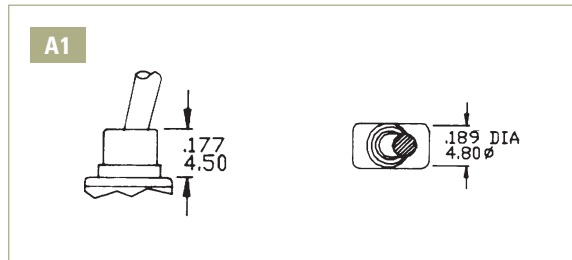


SCHEMATIC

ACTUATOR OPTIONS

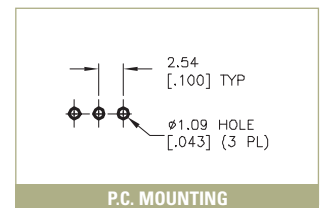
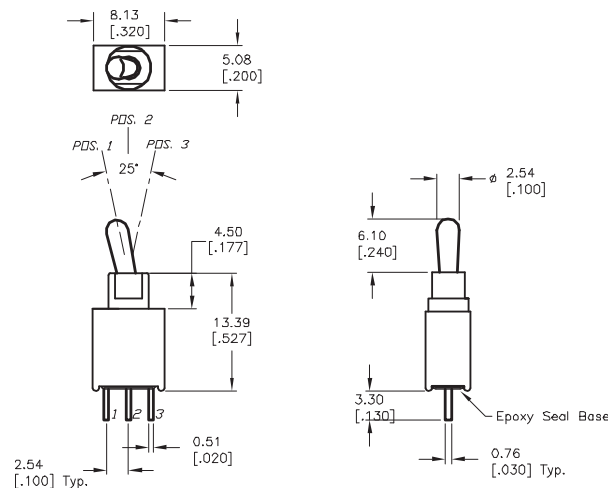


BUSHING OPTIONS



TERMINATION OPTIONS

M2



SERIES 200A SWITCHES

TOGGLE SWITCHES - PROCESS SEALED SUB-MINIATURE

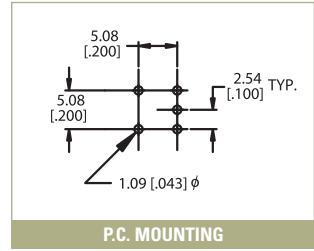
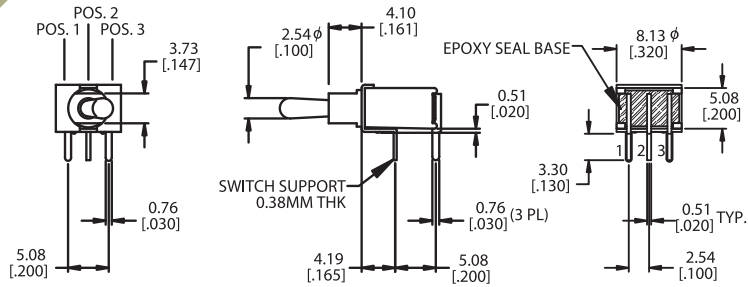
TACT
SWITCHES

NAVIGATION
SWITCHES

PUSHBUTTON
SWITCHES

M6

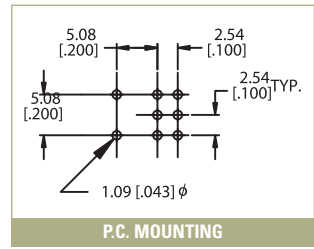
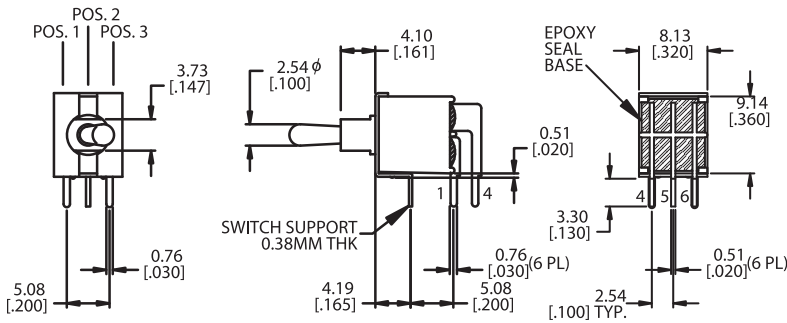
SPDT



TOGGLE
SWITCHES

M6

DPDT

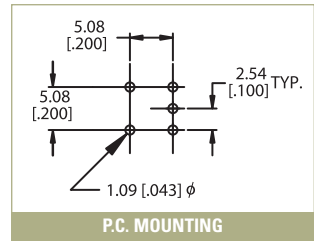
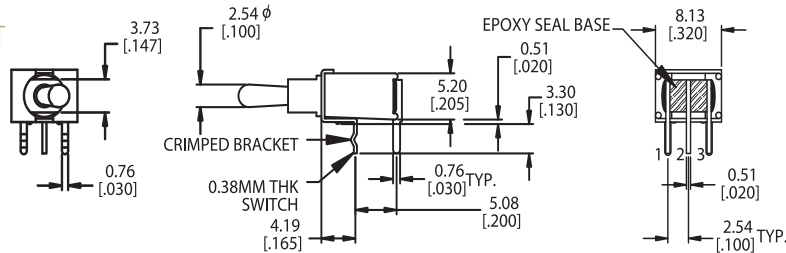


ROCKER
SWITCHES

SLIDE
SWITCHES

M61

SPDT
SNAP-IN BRACKET



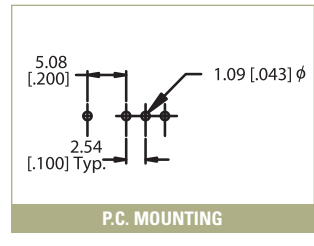
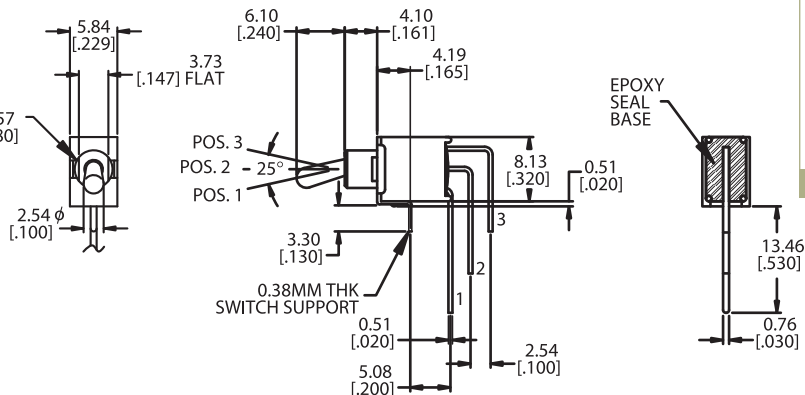
SNAP-ACTION
SWITCHES

DIP
SWITCHES

KEYLOCK
SWITCHES

M7

SPDT



ROTARY
SWITCHES

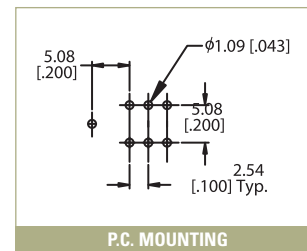
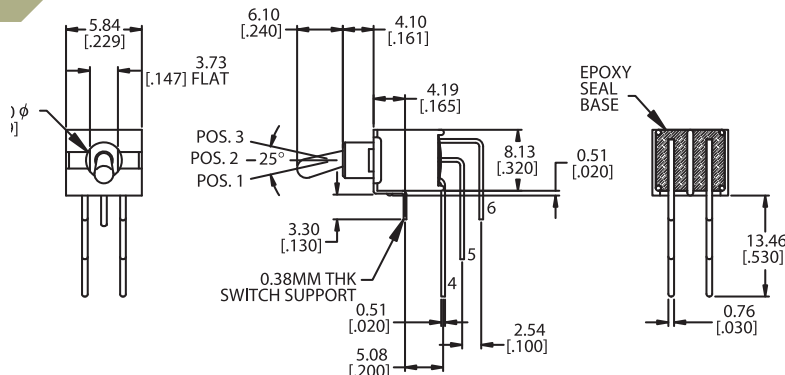
DETECTOR
SWITCHES

CAP
OPTIONS



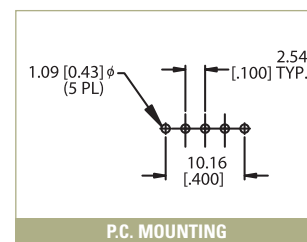
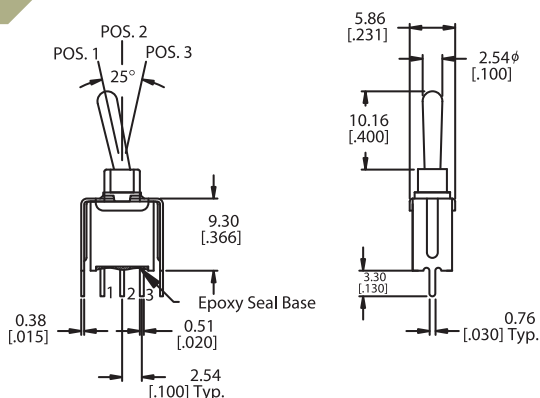
M7

DPDT



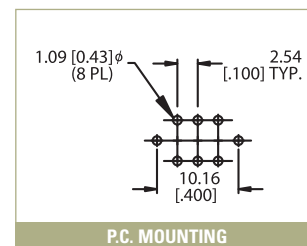
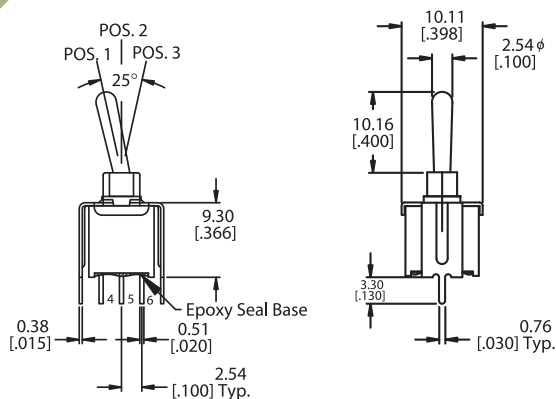
VS2

SPDT



VS2

DPDT



CONTACT MATERIAL OPTIONS

Q

Fixed Terminal:	Silver plated copper alloy
Moving Contact:	Silver plated copper alloy
Rating:	3 Amps @ 120VAC or 28VDC; 1 Amp @ 250VAC

R

Fixed Terminal:	Copper alloy with gold plate over nickel plate
Moving Contact:	Copper alloy with gold plate over nickel plate
Rating:	0.4 Volt-Amps (VA) max. @ 20V max. (AC or DC)