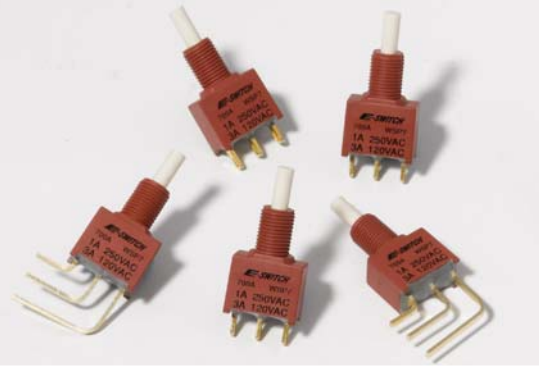


SERIES 700A SWITCHES

PUSHBUTTON SWITCHES - SEALED



FEATURES & BENEFITS

- ▶ Snap acting contact design
- ▶ Gold & silver contact options
- ▶ Multiple termination options
- ▶ IP-67 sealed design

APPLICATIONS/MARKETS

- ▶ Telecommunications
- ▶ Networking
- ▶ Computers/servers
- ▶ Performance audio
- ▶ Instrumentation
- ▶ Low power on/off designs
- ▶ External hard drives and modems

SPECIFICATIONS

Contact Rating:	Gold, 0.4 VA Max @ 20V (AC or DC) Max Silver, 3A @ 120 VAC or 28 VDC, 1A @ 250 VAC
Life Expectancy:	50,000 cycles
Contact Resistance:	20mΩ
Insulation Resistance:	1000MΩ
Dielectric Strength:	1500V RMS
Operating Temperature:	-30°C to 85°C

MATERIALS

Housing:	Nylon, UL94V0
Actuator:	Nylon, UL94V0
Contacts:	Brass, silver or gold plated
Terminals:	Silver or gold plated copper alloy

HOW TO ORDER

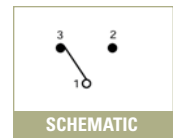
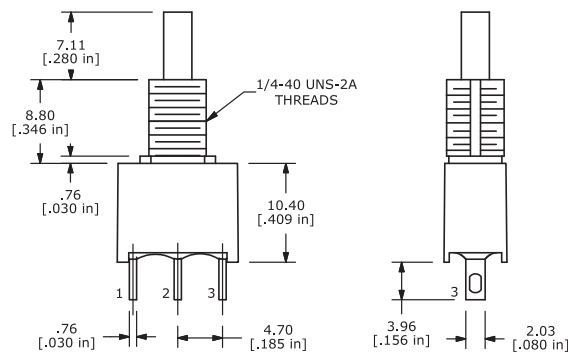
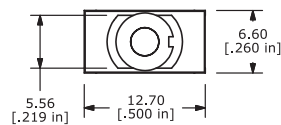
SERIES	MODEL NO.	BUSHING	TERMINATION	CONTACT MATERIAL	SEAL	HARDWARE
700A	SP7 DP7	B10 B21	M1 M2 M6 M7 VS2 VS3	Q = Silver R = Gold	E = Epoxy seal on terminals (standard)	H = Hardware included w/threaded bushing (standard)

Example Ordering Number
700A-SP7-B10-M2-Q-E-H

Specifications subject to change without notice.

M1

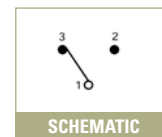
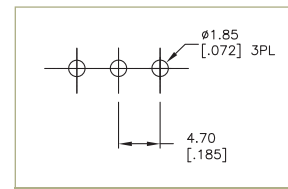
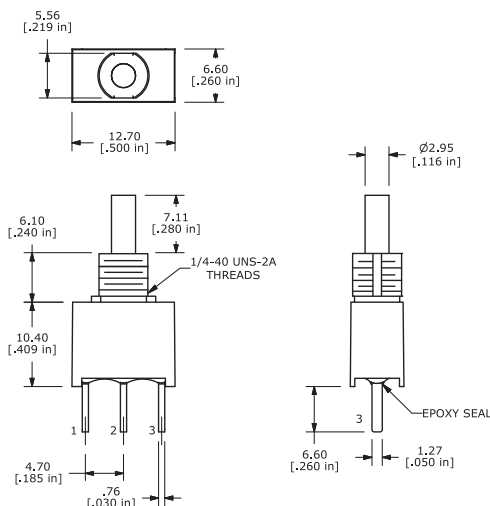
SOLDER





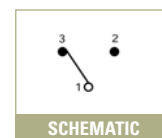
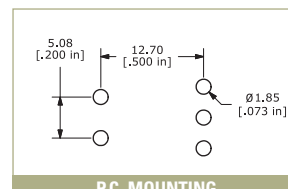
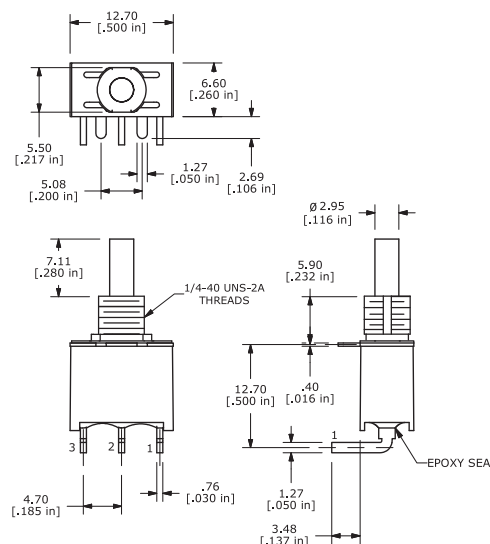
M2

PC



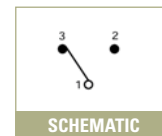
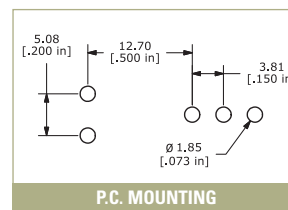
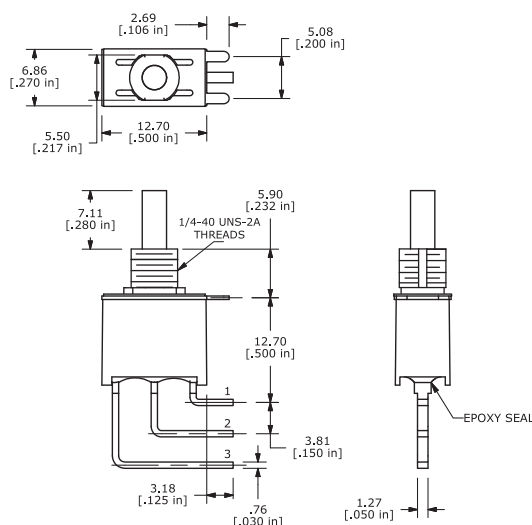
M6

RIGHT ANGLE



M7

VERTICAL RIGHT ANGLE



TACT SWITCHES

NAVIGATION SWITCHES

PUSHBUTTON SWITCHES

TOGGLE SWITCHES

ROCKER SWITCHES

SLIDE SWITCHES

SNAP-ACTION SWITCHES

DIP SWITCHES

KEYLOCK SWITCHES

ROTARY SWITCHES

DETECTOR SWITCHES

CAP OPTIONS

SERIES 700A SWITCHES

PUSHBUTTON SWITCHES - SEALED

TACT SWITCHES

NAVIGATION SWITCHES

PUSHBUTTON SWITCHES

TOGGLE SWITCHES

ROCKER SWITCHES

SLIDE SWITCHES

SNAP-ACTION SWITCHES

DIP SWITCHES

KEYLOCK SWITCHES

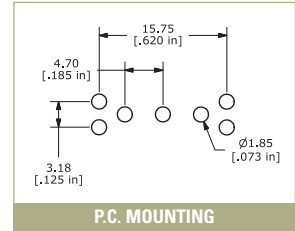
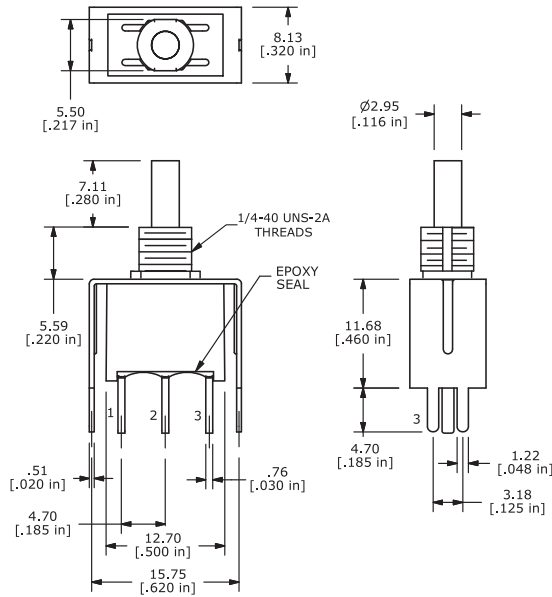
ROTARY SWITCHES

DETECTOR SWITCHES

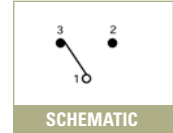
CAP OPTIONS

VS2

460 SUPPORT BRACKET



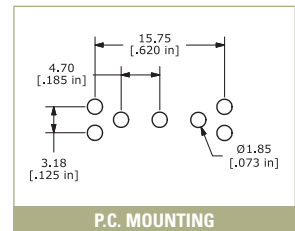
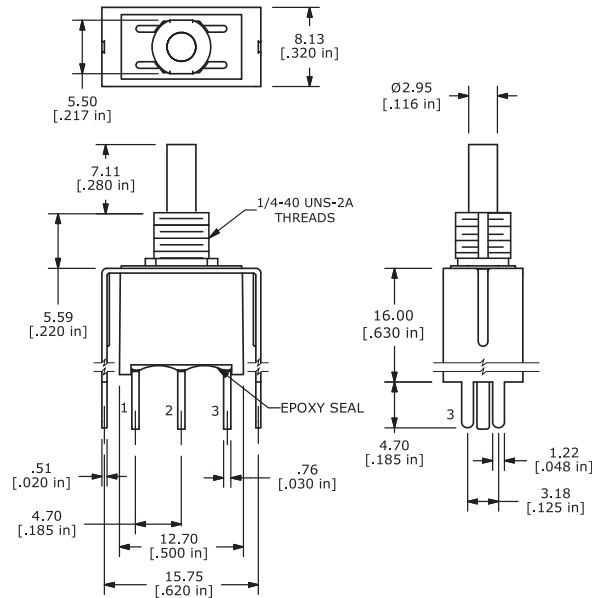
P.C. MOUNTING



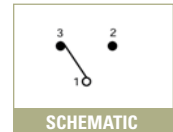
SCHEMATIC

VS3

630 SUPPORT BRACKET



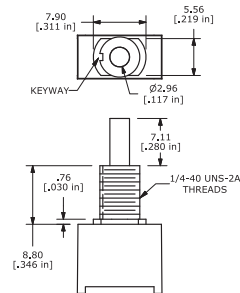
P.C. MOUNTING



SCHEMATIC

BUSHING OPTIONS

B10 THD



B21 NON-THD

