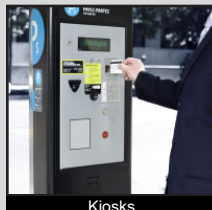
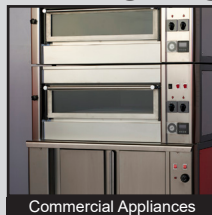


E100 SERIES PUSHBUTTON SWITCH

ANTI-VANDAL SWITCHES
DETECTOR SWITCHES
DIP SWITCHES
KEYLOCK SWITCHES
NAVIGATION SWITCHES
PUSHBUTTON SWITCHES
ROCKER SWITCHES
ROTARY SWITCHES
SLIDE SWITCHES
SNAP ACTION SWITCHES
TACTILE SWITCHES
TOGGLE SWITCHES
CAP OPTIONS



APPLICATIONS / MARKETS



RoHS

SPECIFICATIONS

Contact Arrangement: 1NC, 1NC+1NO, 1NC/1NC
Contact Rating: 3A @ 125VAC, 1.5A @ 250VAC
 0.22A @ 125VDC, 0.11A @ 250VDC
Agency Approvals: ANSI/UL508, TUV-SUD, EN 60947-5-1
 : EN 60947-5-5
Contact Resistance: 50mΩ Max. (Initial)
Insulation Resistance: 100 MΩ Min. @ 500VDC
Dielectric Strength: 1,500VAC
Electrical Life: 50,000 Cycles MIN
Mechanical Life: 100,000 Cycles MIN
Operating Temperature: -25°C to 55°C (with lamp)
 -25°C to 70°C (without lamp)
Storage Temperature: -40°C to 85°C
Actuation Force: 2.0 kgf
Panel Thickness: 5.0mm MAX.
Moisture Protection: IP65

FEATURES & BENEFITS

- Easy operation
- High actuation force
- Multiple illumination options
- Pushlock turn design to reset
- 16mm cutout size
- IP65 rated

PART NUMBER CONFIGURATOR

Series	Actuator Options	Housing Options	Illumination Options	Actuator Color
<input type="checkbox"/> <input type="checkbox"/> <input type="checkbox"/> <input type="checkbox"/> E100	<input type="checkbox"/> <input type="checkbox"/> <input type="checkbox"/> R11 = Illuminated R22 = Non-Illuminated	<input type="checkbox"/> <input type="checkbox"/> G1 = Illuminated 1NC H1 = Illuminated 1NC + 1NO I1 = Illuminated 1NC/1NC L1 = Non-Illuminated 1NC M1 = Non-Illuminated 1NC + 1NO N1 = Non-Illuminated 1NC/1NC	<input type="checkbox"/> <input type="checkbox"/> 0 = No Lamp F = Neon 110V AC G = Neon 220V AC H = LED 6V DC J = LED 12V DC K = LED 24V DC K1 = LED 12 to 24 V AC/DC P = LED 120V AC A = Incandescent 6V AC/DC 200mA B = Incandescent 14V AC/DC 80 mA C = Incandescent 28V AC/DC 40mA D = Incandescent 48V AC/DC 25mA E = Incandescent 60V AC/DC 20mA M = Incandescent 6V AC/DC 40mA N = Incandescent 14V AC/DC 40mA L = Incandescent 33V AC/DC 35mA	<input type="checkbox"/> R = Red

Specifications subject to change without notice 5.31.2024



E-SWITCH®

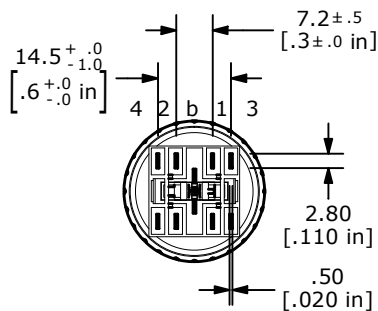
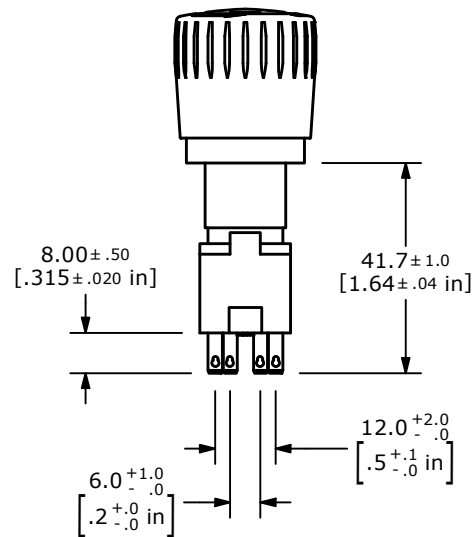
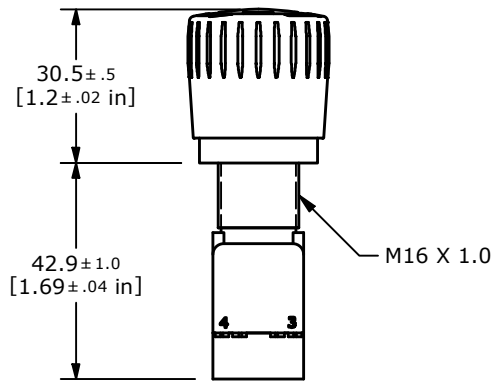
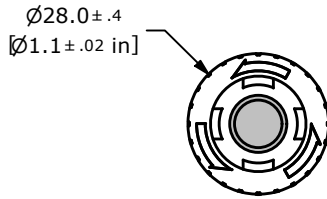
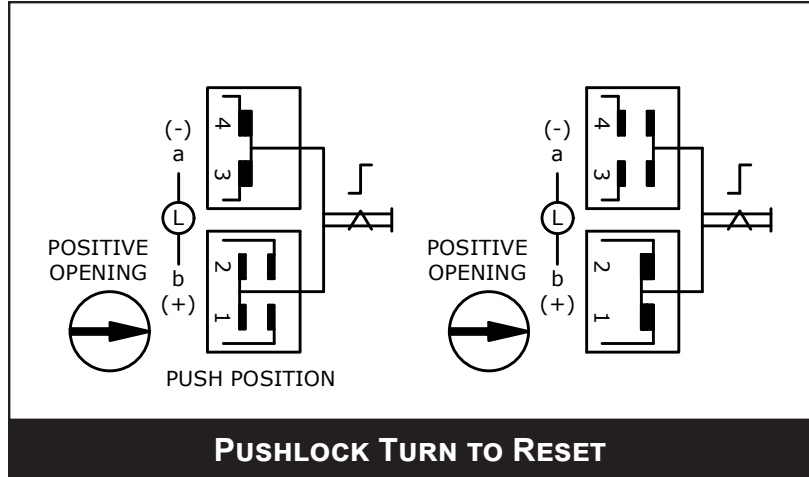
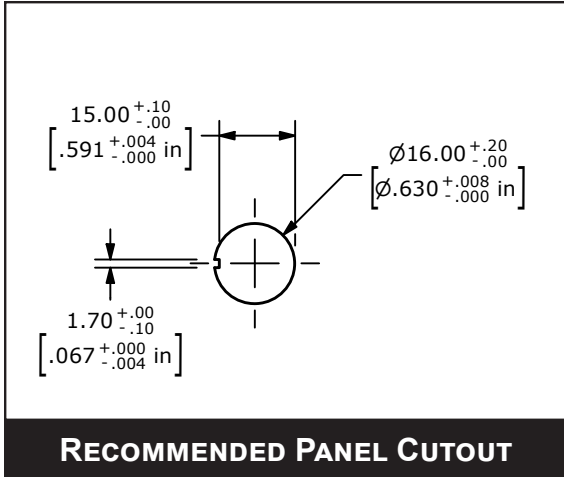
www.e-switch.com

800.867.2717

1

E100 SERIES PUSHBUTTON SWITCH

BODY DIMENSIONS - ILLUMINATED



BOTTOM VIEW SHOWN WITHOUT SHROUD ACTUATOR



- ANTI-VANDAL SWITCHES
- DETECTOR SWITCHES
- DIP SWITCHES
- KEYLOCK SWITCHES
- NAVIGATION SWITCHES
- PUSHBUTTON SWITCHES**
- ROCKER SWITCHES
- ROTARY SWITCHES
- SLIDE SWITCHES
- SNAP ACTION SWITCHES
- TACTILE SWITCHES
- TOGGLE SWITCHES
- CAP OPTIONS

E100 SERIES PUSHBUTTON SWITCH

BODY DIMENSIONS - NON-ILLUMINATED

