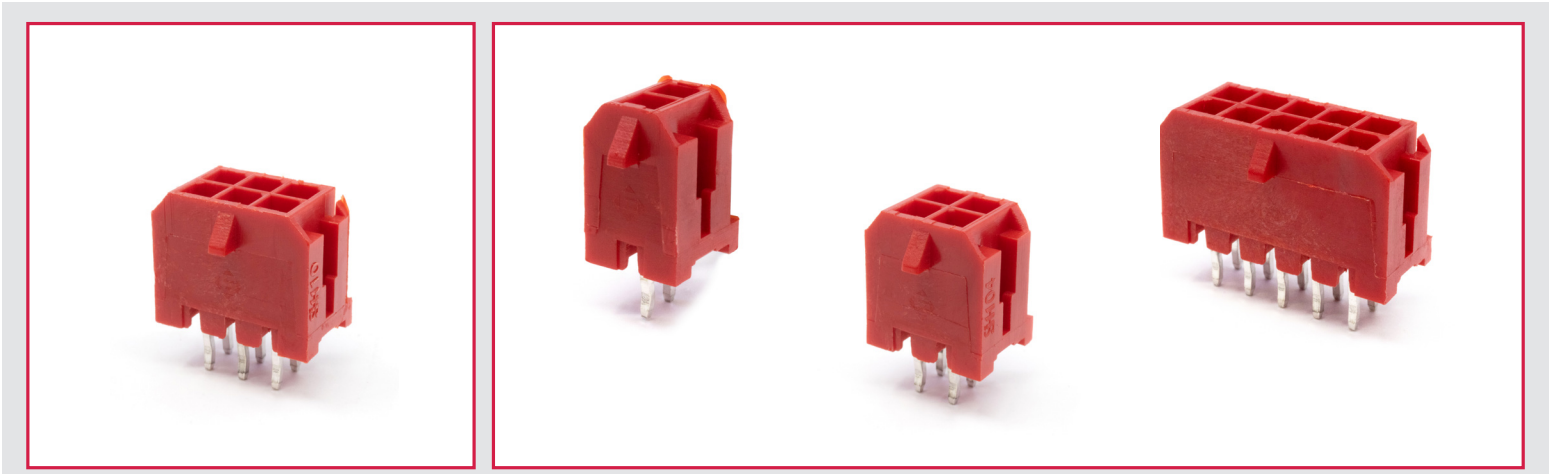


ECM3026 PCB HEADER



SPECIFICATIONS

- Voltage Rating:** 250VAC
- Current Rating:** 5A max
- Housing:** PA66, UL94V-0
- Insulation Resistance:** 100Mohm min
- Withstanding:** 100Mohm min
- Operating Temperature:** -25°C to +85°C
- Poles:** 2-10
- Wire Range:** 28-22AWG

FEATURES & BENEFITS

- Free Hanging 3mm spacing**
- Wire to Wire Receptacle to Plug system**
- Compatible with ECM3025 Series**
- Low Profile Design**
- 2 to 10 Poles**

PART NUMBER CONFIGURATOR

Series



ECM3026

Function



- 02** - 2 Pins
- 04** - 4 Pins
- 06** - 6 Pins
- 10** - 10 Pins

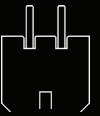
Color



R - Red

NOTES:
Specifications based on using ESW Crimp Terminals (Sold Separately)

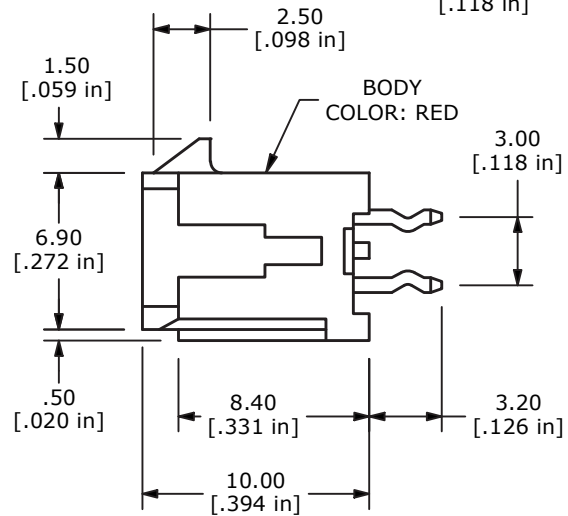
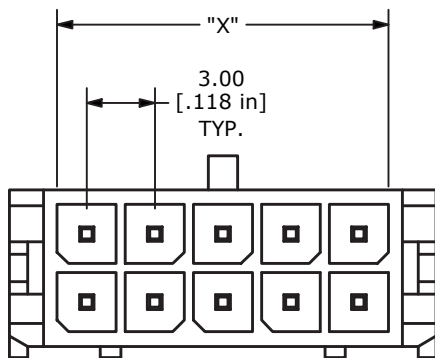
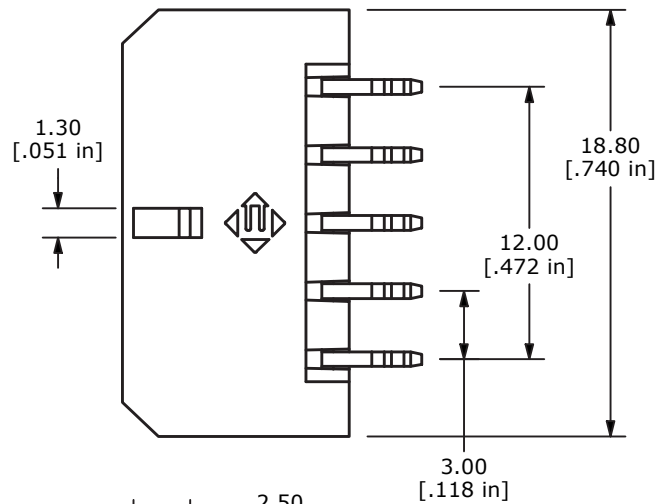
Specifications subject to change without notice 5/16/2025

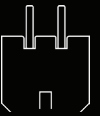


ECM3026 PCB HEADER

BODY DIMENSIONS

OBJECT NAME	NO. OF POS.	DIM "X"
ECM302602R	2	2.60 [.118 in]
ECM302604R	4	5.60 [.220 in]
ECM302606R	6	8.60 [.339 in]
ECM302610R	10	14.60 [.575 in]





ECM3026 PCB HEADER

PIN POSITIONS

