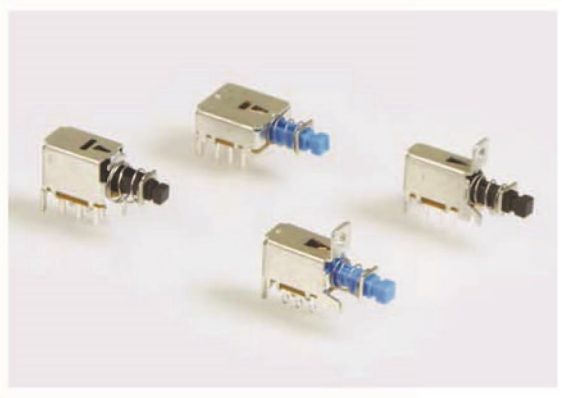


SERIES LC SWITCHES

PUSHBUTTON SWITCHES



FEATURES & BENEFITS

- ▶ Latching & momentary functions
- ▶ Shorting or non-shorting versions
- ▶ Variety of housing styles available

APPLICATIONS/MARKETS

- ▶ Telecommunications
- ▶ Networking
- ▶ Computers/servers
- ▶ Performance audio
- ▶ Instrumentation
- ▶ Low power on/off designs
- ▶ External hard drives and modems

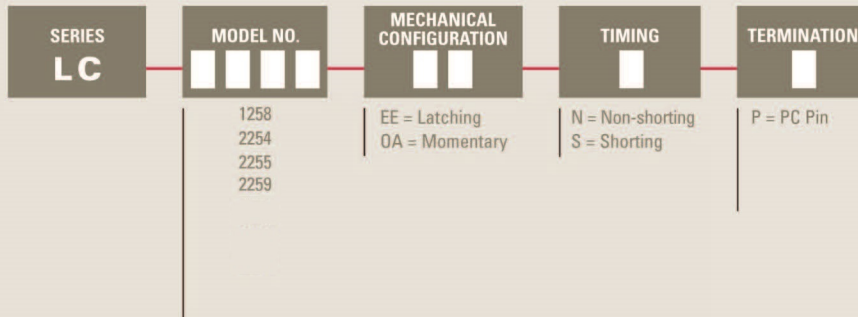
SPECIFICATIONS

Contact Rating:	300mA @ 30 VDC
Life Expectancy:	10,000 cycles typical
Contact Resistance:	20mΩ max. initial @ 2-4 VDC, 100mA
Insulation Resistance:	100MΩ min.
Dielectric Strength:	1,000 V rms @ sea level
Actuation Force:	Dependent upon model number
Operating Temperature:	-20° to +85°C

MATERIALS

Housing:	Tin over Steel
Actuator:	Acetal
Terminal Base:	Phenolic
Spring:	Spring steel
Terminals:	Silver over brass
Contacts:	Silver over phosphor bronze

HOW TO ORDER



▶ ▶ ▶ **Example Ordering Number**
LC-1258-EE-N-P

Specifications subject to change without notice.

ACTUATION OPTIONS

Model No.	Actuation Force
1258	230 ± 100 gf
2254	300 ± 150 gf
2255	300 ± 150 gf
2259	330 ± 100 gf

TACT SWITCHES

NAVIGATION SWITCHES

PUSHBUTTON SWITCHES

TOGGLE SWITCHES

ROCKER SWITCHES

SLIDE SWITCHES

SNAP-ACTION SWITCHES

DIP SWITCHES

KEYLOCK SWITCHES

ROTARY SWITCHES

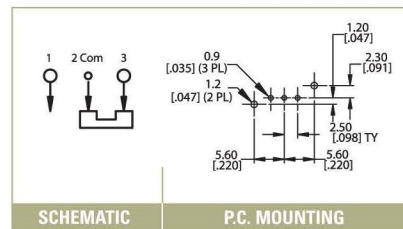
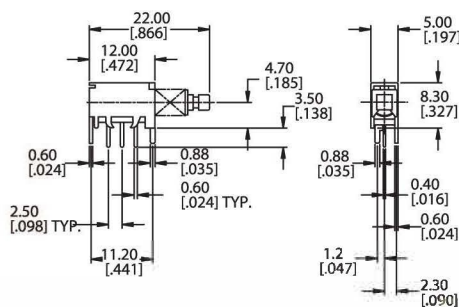
DETECTOR SWITCHES

CAP. OPTIONS



LC 1258

Shaft End Style A

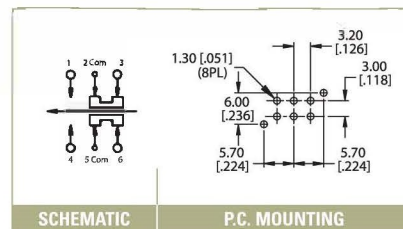
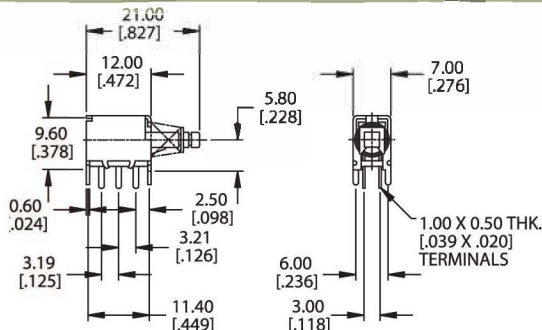


SCHEMATIC

P.C. MOUNTING

LC 2254

Shaft End Style □2.7mm

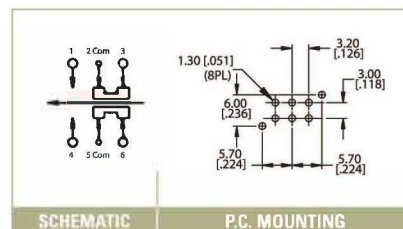
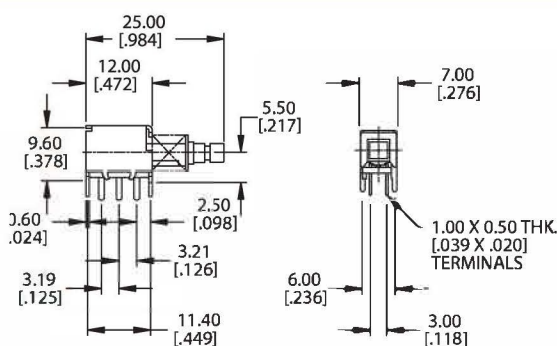


SCHEMATIC

P.C. MOUNTING

LC 2255

Shaft End Style B

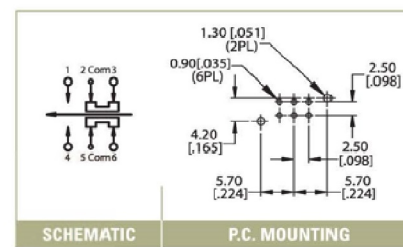
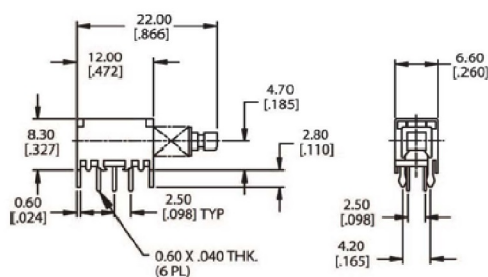


SCHEMATIC

P.C. MOUNTING

LC 2259

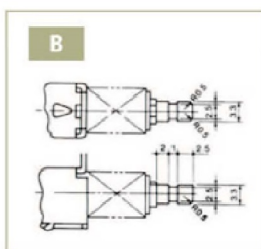
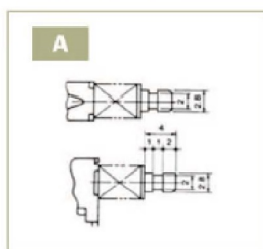
Shaft End Style A



SCHEMATIC

P.C. MOUNTING

SHAFT END STYLES



TERMINATION OPTIONS

