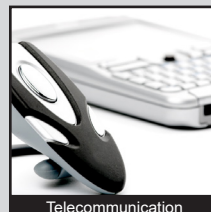
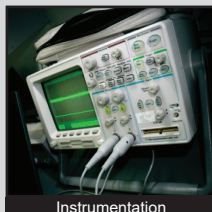
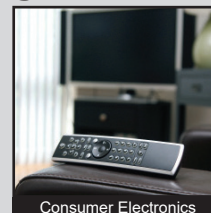
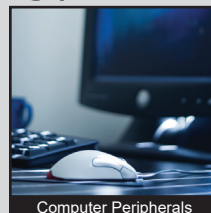
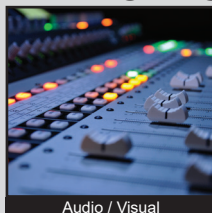


LL3301 SERIES TACT SWITCH

ANTI-VANDAL SWITCHES
 DETECTOR SWITCHES
 DIP SWITCHES
 KEYLOCK SWITCHES
 NAVIGATION SWITCHES
 PUSHBUTTON SWITCHES
 ROCKER SWITCHES
 ROTARY SWITCHES
 SLIDE SWITCHES
 SNAP ACTION SWITCHES
TACTILE SWITCHES
 TOGGLE SWITCHES
 CAP OPTIONS



APPLICATIONS / MARKETS



RoHS

SPECIFICATIONS

Contact Rating: 50mA @ 12VDC
Electrical Life: 1,000,000
Contact Resistance: 100mΩ Max
Insulation Resistance: 100MΩ Min @ 500VDC
Dielectric Strength: 250VAC for 1 Minute
Operating Temperature: -40°C to 85°C
Storage Temperature: -40°C to 85°C
Travel: 0.25mm
Contact Arrangement: SPST
Actuation Force: 65gf

FEATURES & BENEFITS

- Single pole single throw
- Surface mount
- 6mm x 6mm
- Cap options
- Multiple actuator options
- Long life version of TL3301

PART NUMBER CONFIGURATOR

Series

LL3301

Actuator Options

A - 5.0mm (no cap)
 B - 9.5mm (no cap)
 C - 8.0mm (no cap)
 D - 13.0mm (no cap)
 E - 7.3mm (no cap)
 F - 7.0mm (no cap)
 N - 4.3mm (no cap)
 P - 8.5mm (no cap)
 SP - 2.8mm square cap
 T - 2.4mm square cap

Actuation Force

F065- 65 gf

Contact Material

Q - Silver
 R - Gold

Termination

G - Gullwing
 J - J-lead

Cap Options

Order Caps Separately

Specifications subject to change without notice 3/5/2024



E-SWITCH®

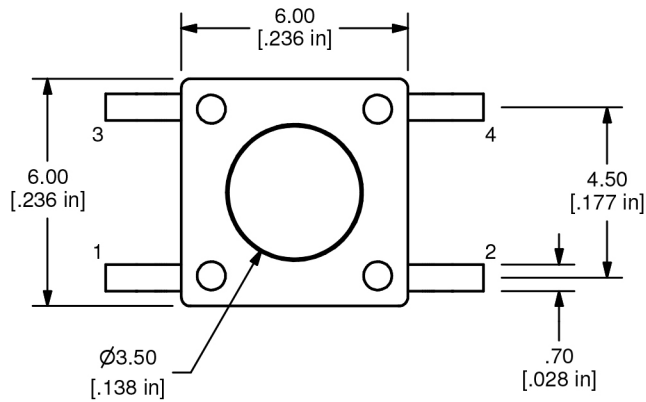
www.e-switch.com

800.867.2717

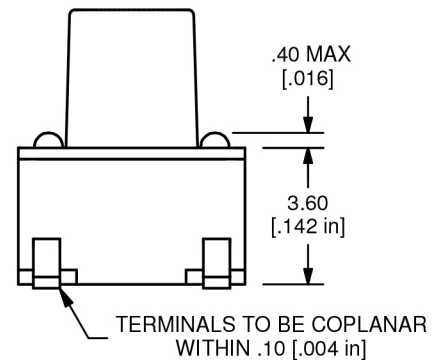
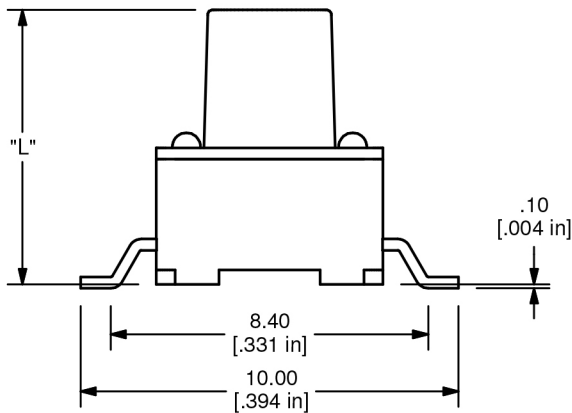
1

LL3301 SERIES TACT SWITCH

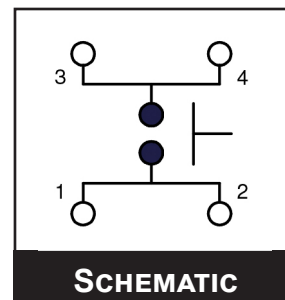
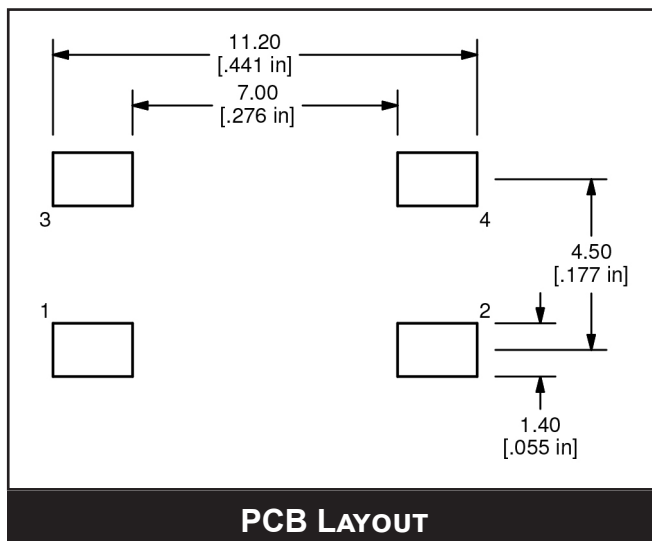
TERMINATION OPTIONS



ACTUATOR OPTION	"L" DIMENSION
N	4.3mm
A	5.0mm
E	7.3mm
F	7.0mm
C	8.0mm
P	8.5mm
B	9.5mm
D	13.0mm

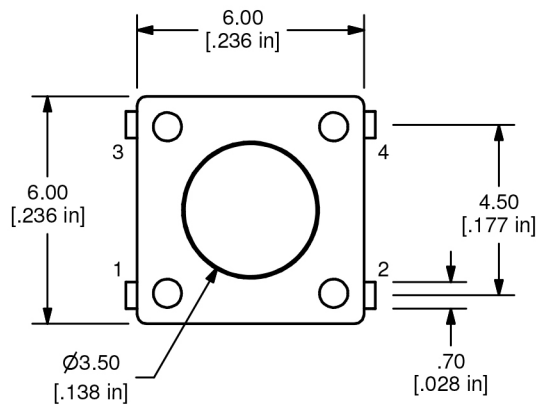


GULLWING TERMINATION

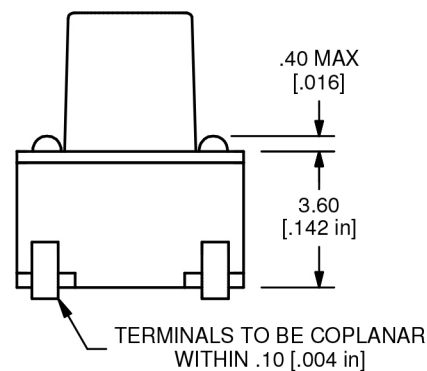
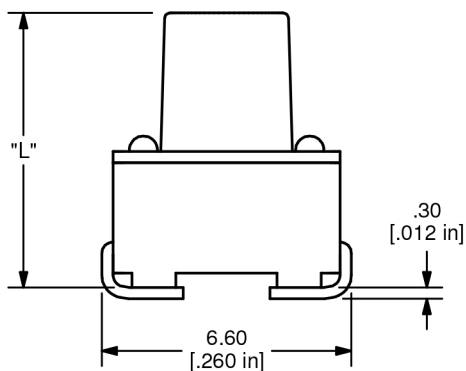


LL3301 SERIES TACT SWITCH

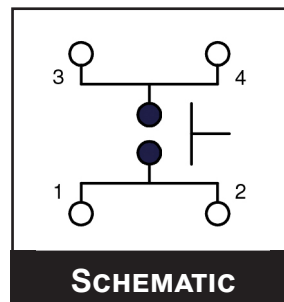
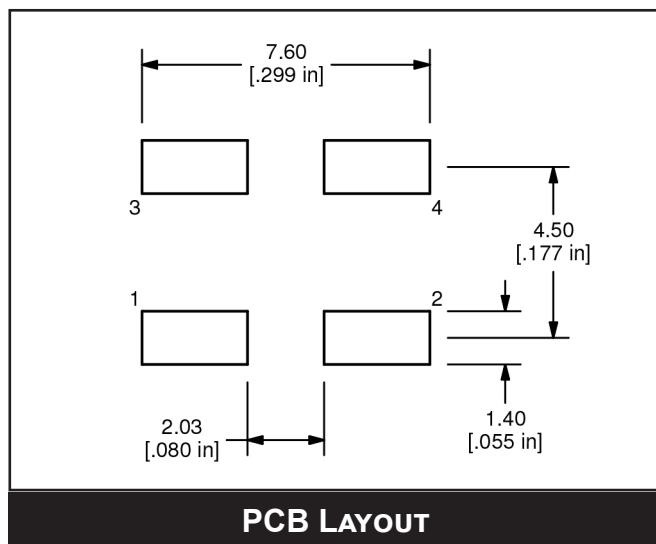
TERMINATION OPTIONS



ACTUATOR OPTION	"L" DIMENSION
N	4.3mm
A	5.0mm
E	7.3mm
F	7.0mm
C	8.0mm
P	8.5mm
B	9.5mm
D	13.0mm

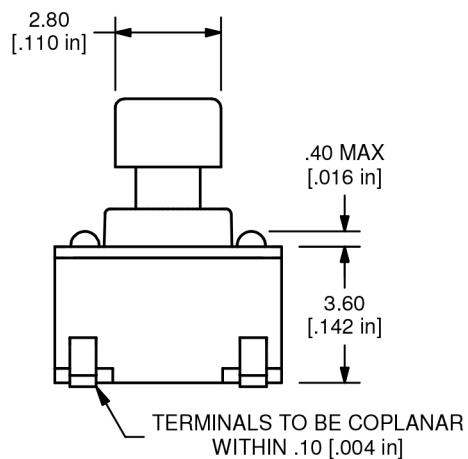
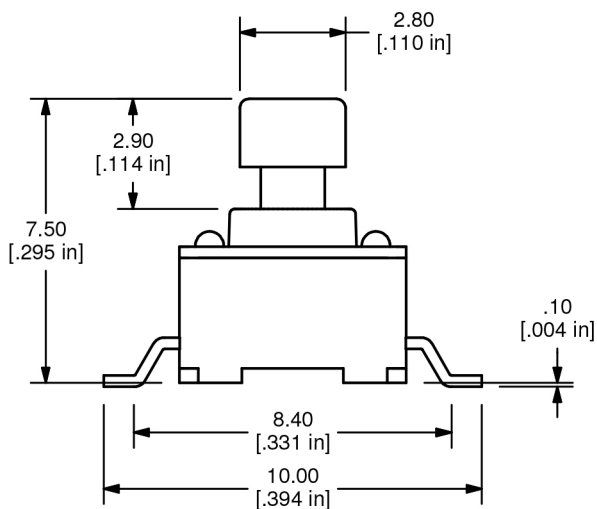
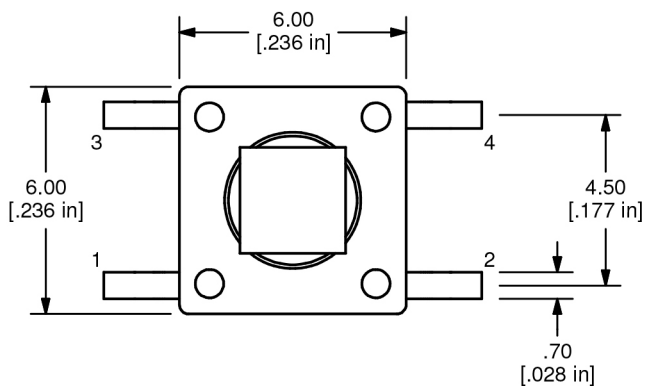


J-LEAD TERMINATION

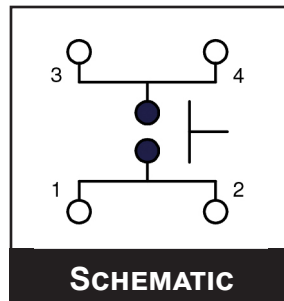
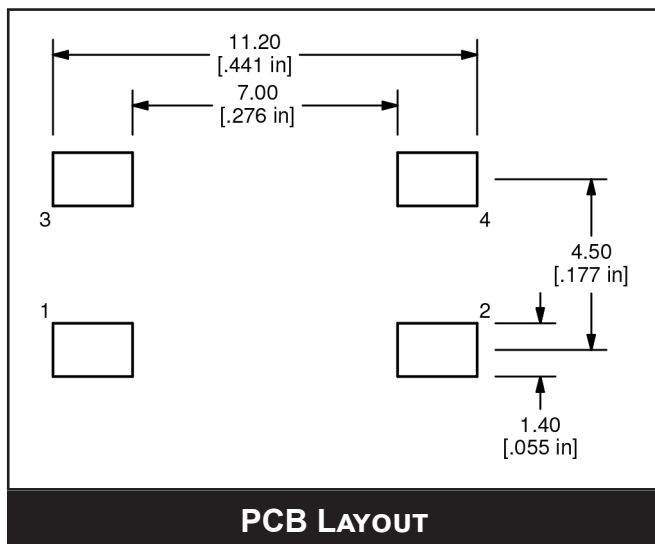


LL3301 SERIES TACT SWITCH

ACTUATOR OPTIONS

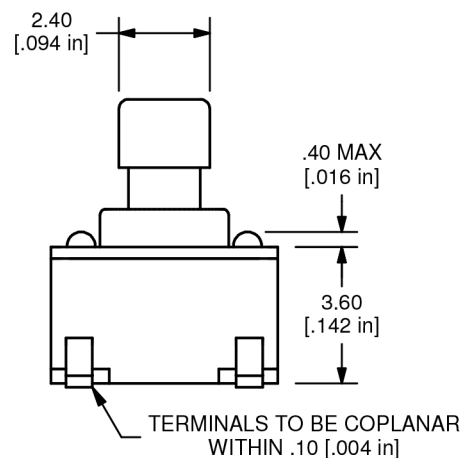
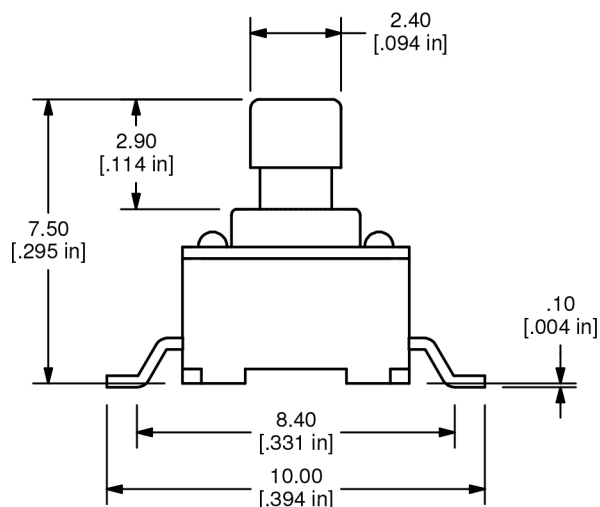
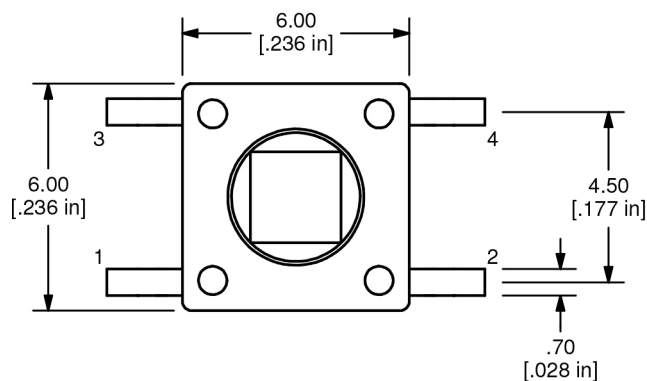


SP ACTUATOR
(GULLWING TERMINATION SHOWN)



LL3301 SERIES TACT SWITCH

TERMINATION OPTIONS



T ACTUATOR
(GULLWING TERMINATION SHOWN)

