

SERIES LP1 SWITCHES



ILLUMINATED PUSHBUTTON



FEATURES & BENEFITS

Panel Mount
Multiple Illumination options
Aesthetic look

APPLICATIONS / MARKETS

Computer Servers/peripherals
Performance Audio
Instrumentation
Telecommunications/networking

MECHANICAL SPECIFICATIONS

Mechanical Life:	50,000 cycles
Force:	250 +/- 100 gf
Travel:	1.8mm +/- 0.3mm

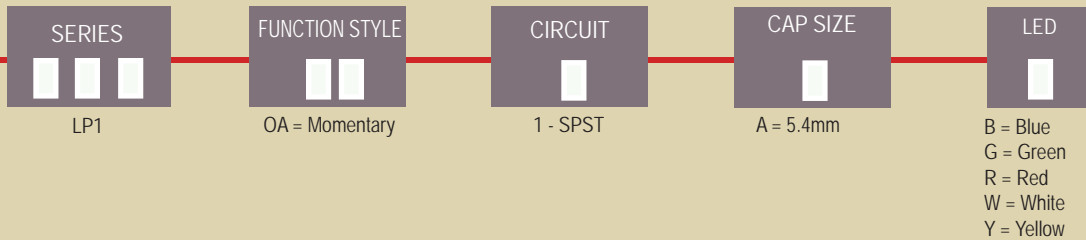
ELECTRICAL SPECIFICATIONS

Electrical Life:	50,000 cycles
Contact Rating:	100mA @ 30VDC
Contact Resistance:	50mΩ (initial max)
Insulation Resistance:	100MΩ (Min @ 500VDC)
Dielectric Strength:	500VAC (1 minute)

ENVIRONMENTAL SPECIFICATIONS

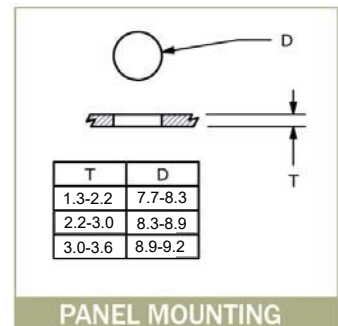
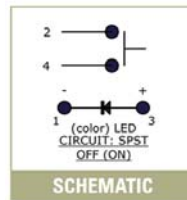
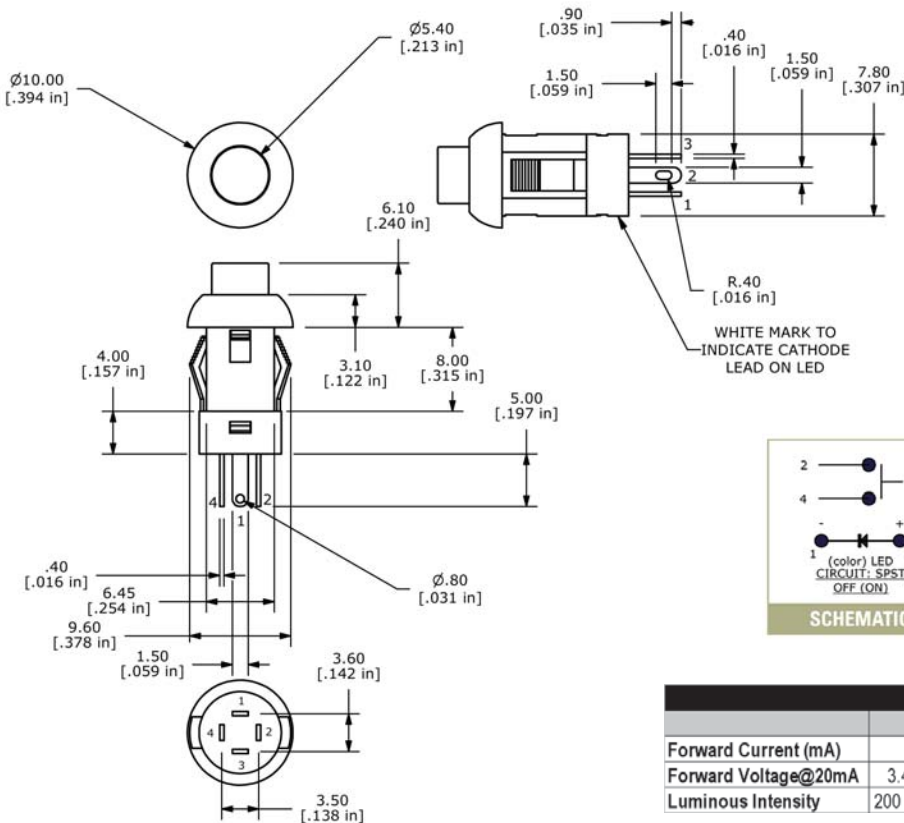
Operating Temperature:	-40°C to +85°C
Storage Temperature:	-40°C to +85°C

HOW TO ORDER:



Example Ordering Code: LP1-OA-1-A-R

Specifications subject to change without notification.



LED SPECIFICATIONS					
	Blue	Red	Green	Yellow	White
Forward Current (mA)	20mA	20mA	20mA	20mA	20mA
Forward Voltage@20mA	3.4-4.0 VDC	1.5-2.4 VDC	2.0-2.4 VDC	2.0-2.4 VDC	3.5-4.0 VDC
Luminous Intensity	200 mcd @5mA	300 mcd	50 mcd	100 mcd	2000 mcd