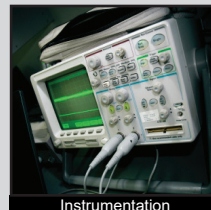


PB350 SERIES PUSHBUTTON SWITCH

ANTI-VANDAL SWITCHES
DETECTOR SWITCHES
DIP SWITCHES
KEYLOCK SWITCHES
NAVIGATION SWITCHES
PUSHBUTTON SWITCHES
ROCKER SWITCHES
ROTARY SWITCHES
SLIDE SWITCHES
SNAP ACTION SWITCHES
TACTILE SWITCHES
TOGGLE SWITCHES
CAP OPTIONS



APPLICATIONS / MARKETS



RoHS

SPECIFICATIONS

Electrical Rating: 30mA @ 28 VDC
Electrical Life: 20,000 Cycles
Contact Resistance: 50mΩ Max. Initial
Insulation Resistance: 10GΩ Min. @ 1000VDC
Dielectric Strength: 500VAC for 1 minute
Operating Temperature: -40°C to 85°C
Travel: 2.0mm
Contact Arrangement: SPST, SPDT
Actuation Force: ST: 490 grams
 DT: 1st Position: 600 grams
 DT: 2nd Position: 1150 grams

FEATURES & BENEFITS

- SPST or SPDT/Double action
- Double action: first circuit closes mid travel, second at full travel
- Long travel - 2.0mm
- High actuation force
- Tactile response

PART NUMBER CONFIGURATOR

Series



PB350

Circuit Function



ST - Single Pole, Single Throw, Momentary
 DT - Single Pole, Double Action, Momentary

Contact Material



R - Gold

LED Color



R - Red
 W - White
 Y - Yellow
 B - Blue
 G - Green

NOTES:

Typical LED specifications:
 2.2V @ 20mA for Red and Yellow LED colors
 3.2V @ 20mA for White, Blue, and Green LED colors

Specifications subject to change without notice 4.25.2024



E-SWITCH®

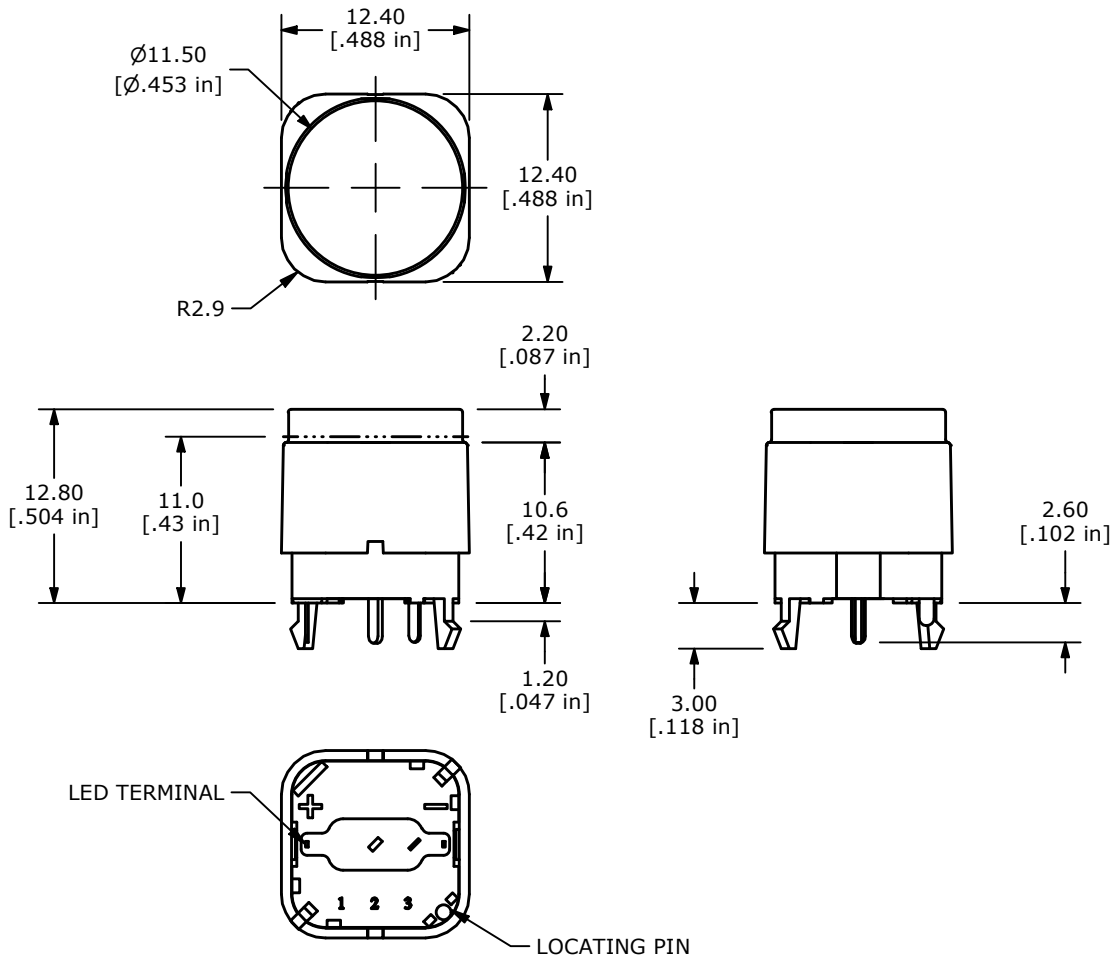
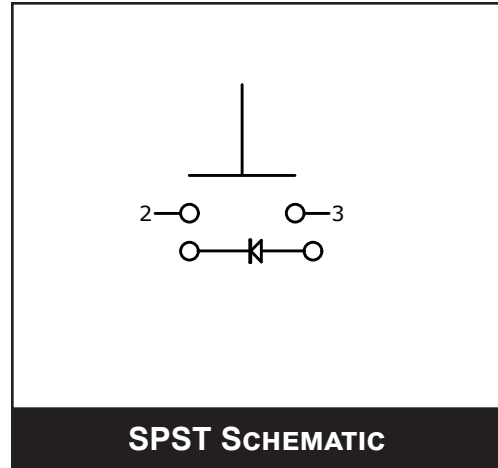
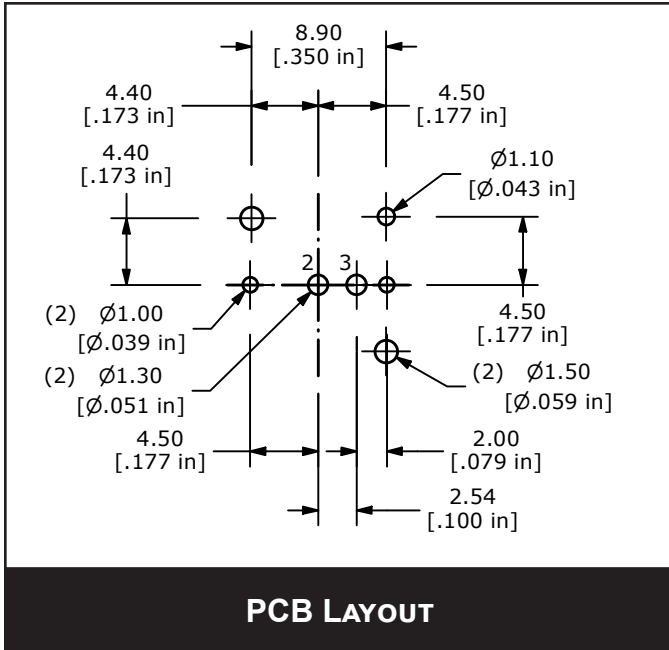
www.e-switch.com

800.867.2717

1

PB350 SERIES PUSHBUTTON SWITCH

BODY DIMENSIONS - SPST



- ANTI-VANDAL SWITCHES
- DETECTOR SWITCHES
- DIP SWITCHES
- KEYLOCK SWITCHES
- NAVIGATION SWITCHES
- PUSHBUTTON SWITCHES**
- ROCKER SWITCHES
- ROTARY SWITCHES
- SLIDE SWITCHES
- SNAP ACTION SWITCHES
- TACTILE SWITCHES
- TOGGLE SWITCHES
- CAP OPTIONS



PB350 SERIES PUSHBUTTON SWITCH

BODY DIMENSIONS - SPDT

