

PB66 SERIES PUSHBUTTON SWITCH

ANTI-VANDAL SWITCHES
DETECTOR SWITCHES
DIP SWITCHES
KEYLOCK SWITCHES
NAVIGATION SWITCHES
PUSHBUTTON SWITCHES
ROCKER SWITCHES
ROTARY SWITCHES
SLIDE SWITCHES
SNAP ACTION SWITCHES
TACTILE SWITCHES
TOGGLE SWITCHES
CAP OPTIONS



APPLICATIONS / MARKETS



SPECIFICATIONS

Contact Arrangement: DPST Off-On Latching
Contact Rating: 16(16)A 127VAC, UL
Contact Resistance: 50mΩ Max.
Insulation Resistance: 2MΩ MIN @ 500VDC
Dielectric Strength: 1,300VAC MIN. for 1 minute
Electrical Life: 50,000 Cycles
Operating Temperature: 0°C to 55°C
Storage Temperature: -25°C to 85°C
Actuation Force: 13N
Panel Thickness: 0.7mm to 2.50mm MAX.
Moisture Protection: IP66

FEATURES & BENEFITS

- High current pushbutton
- 50,000 Cycle Electrical Life
- Power symbol illuminated or laser etched
- Multiple illumination color options
- 25mm cutout size
- IP66 rating
- UL Certified

PART NUMBER CONFIGURATOR

Series	Function	Circuit	Rating	Actuator Options	Termination	Actuator Options	Lens Color Options	Illumination Voltage Options
<input type="text" value="PB66"/>	<input type="text" value="EE = Latching"/>	<input type="text" value="2 = DPST Off-On"/>	<input type="text" value="C = (16)16A - 127VAC, UL"/>	<input type="text" value="R = Round"/>	<input type="text" value="6 = 6.3mm Tab"/>	<input type="text" value="N = Non-Illuminated Power Symbol Laser Etched P = Illuminated Power Symbol"/>	<input type="text" value="None = Non-Illuminated 0 = White 1 = Red 3 = Green 4 = Blue"/>	<input type="text" value="None = Non-Illuminated 1 = Base Voltage"/>

Specifications subject to change without notice 7.1.2023



E-SWITCH®

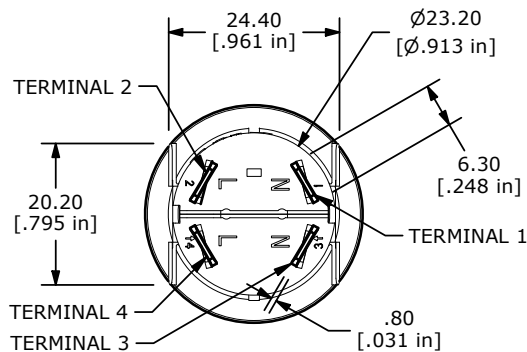
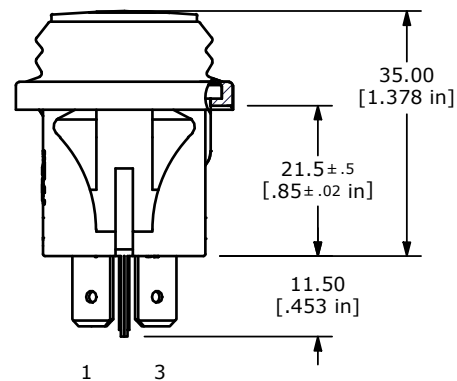
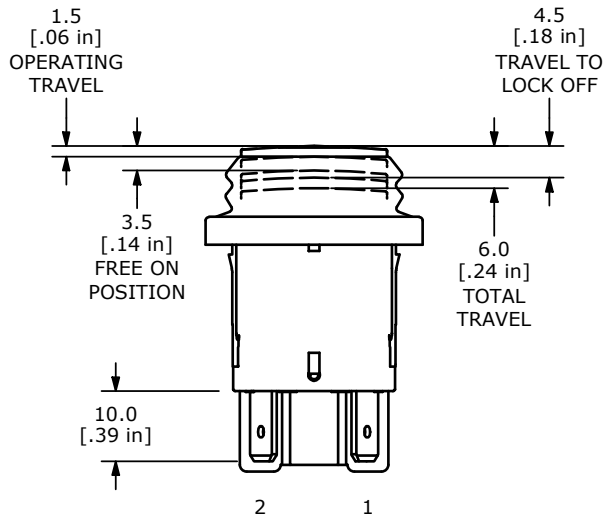
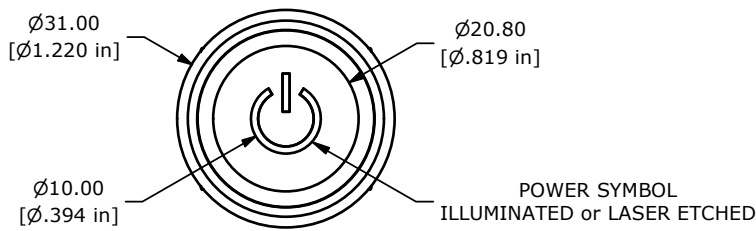
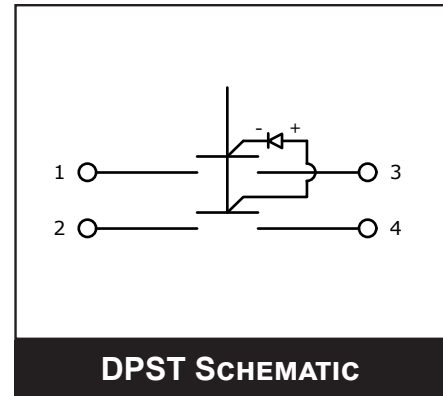
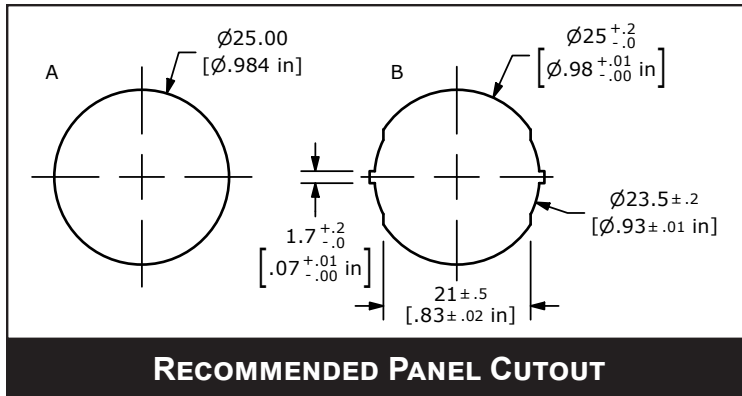
www.e-switch.com

800.867.2717

1

PB66 SERIES PUSHBUTTON SWITCH

BODY DIMENSIONS



ANTI-VANDAL SWITCHES
DETECTOR SWITCHES
DIP SWITCHES
KEYLOCK SWITCHES
NAVIGATION SWITCHES
PUSHBUTTON SWITCHES
ROCKER SWITCHES
ROTARY SWITCHES
SLIDE SWITCHES
SNAP ACTION SWITCHES
TACTILE SWITCHES
TOGGLE SWITCHES
CAP OPTIONS