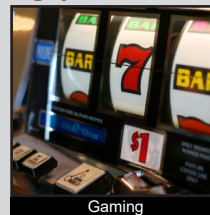


PP2 SERIES DETECTOR SWITCH

ANTI-VANDAL SWITCHES
 DETECTOR SWITCHES
 DIP SWITCHES
 KEYLOCK SWITCHES
 NAVIGATION SWITCHES
 PUSHBUTTON SWITCHES
 ROCKER SWITCHES
 ROTARY SWITCHES
 SLIDE SWITCHES
 SNAP ACTION SWITCHES
 TACTILE SWITCHES
 TOGGLE SWITCHES
 CAP OPTIONS



APPLICATIONS / MARKETS



RoHS

SPECIFICATIONS

Electrical Rating:
UL61058: 10R (4)A 277VAC 5E4
UL1054: 16A 125VAC [cURus]; 12A 250VAC [cURus]; 1HP 125/250VAC [cURus]
Electrical Life: 6,000 Cycles
Mechanical Life: 50,000 Cycles
Contact Resistance: 10mΩ Max.
Insulation Resistance: 10MΩ Min.
Operating Temperature 0°C to 85°C
Panel Cutout: 13.5mm x 36mm
Ingress Protection: IP40
Function: DPDT, On-(On) or On₁-On₂-(On₂)

FEATURES & BENEFITS

- Push-pull or momentary functions
- Various actuator and terminal options
- High ratings with UL approvals
- Acts as door interlock switch
- IP40 ingress protection

PART NUMBER CONFIGURATOR

Series	Terminal Type	Function	Contact Rating	Body Color	Actuator Height	Actuator Color
PP2	1 - 4.8mm x 0.8mm Tabs, Vertical 4 - 6.3mm x 0.8mm Tabs, Vertical **** 7 - 4.8mm x 0.5mm Tabs, Angled	H - On-(On)* U - On ₁ -On ₂ -(On ₂)*	7 - 10R(4)A 277VAC 5E4 16A 125VAC 12A 250VAC 1HP 125/250VAC	1 - Black 2 - White	** A - Straight *** B - Push-Pull *** C - Push-Pull ** D - Short	2 - White

* () Denotes momentary function
 ** Available with "H" function only
 *** Available with "U" function only

Specifications subject to change without notice 7.18.2024



E-SWITCH®

www.e-switch.com

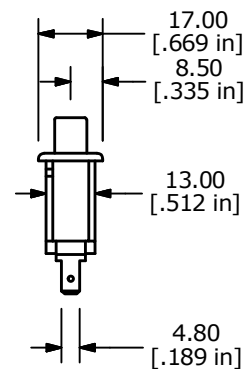
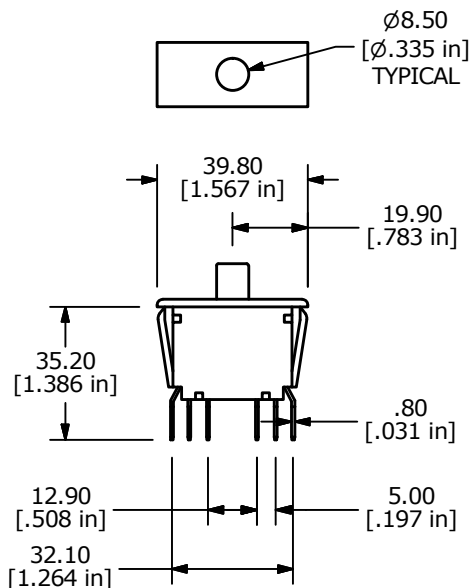
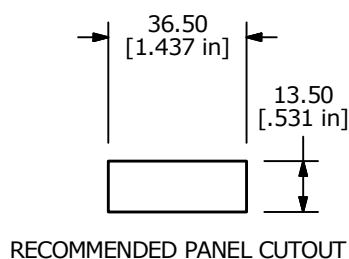
800.867.2717

1

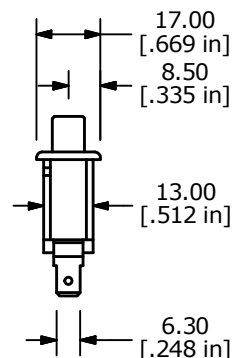
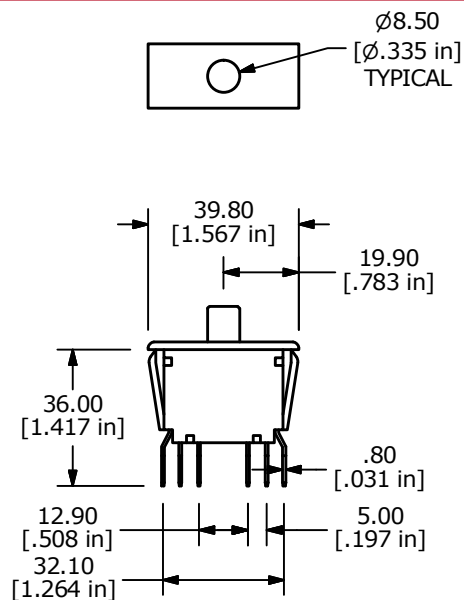
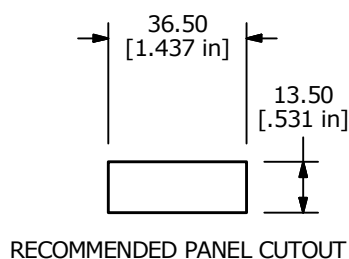
PP2 SERIES DETECTOR SWITCH

TERMINAL OPTIONS

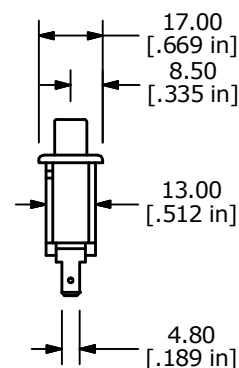
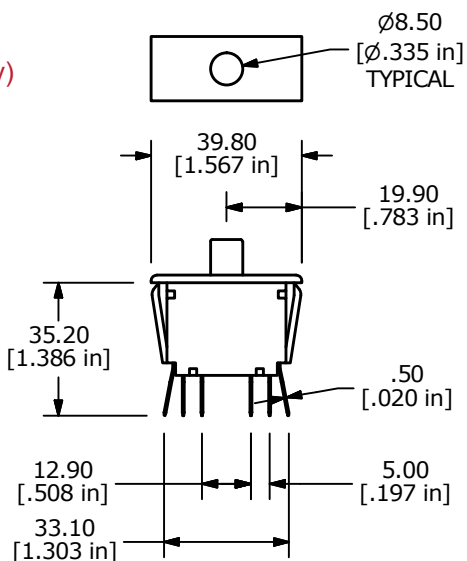
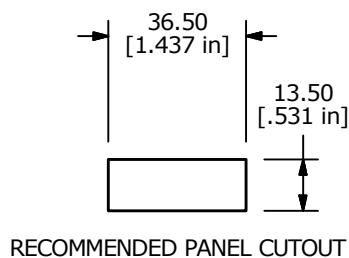
1 - 4.8mm x 0.8mm Tabs, Vertical



4 - 6.3mm x 0.8mm Tabs, Vertical



7 - 4.8mm x 0.5mm Tabs, Angled (Available with "1" Contact Rating Only)



ANTI-VANDAL SWITCHES
 DETECTOR SWITCHES
 DIP SWITCHES
 KEYLOCK SWITCHES
 NAVIGATION SWITCHES
 PUSHBUTTON SWITCHES
 ROCKER SWITCHES
 ROTARY SWITCHES
 SLIDE SWITCHES
 SNAP ACTION SWITCHES
 TACTILE SWITCHES
 TOGGLE SWITCHES
 CAP OPTIONS

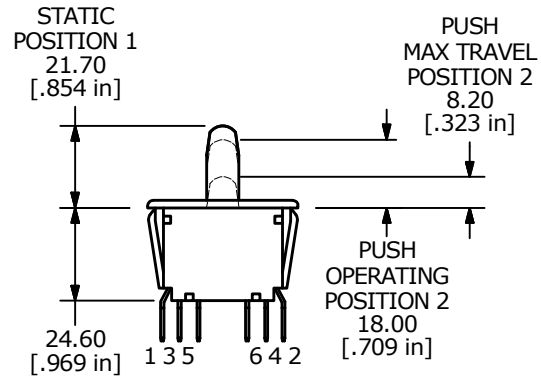
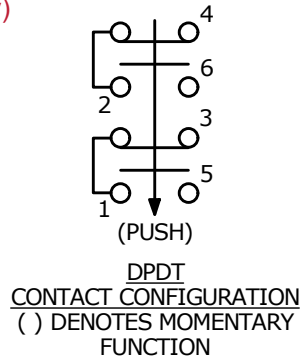
PP2 SERIES DETECTOR SWITCH

ACTUATOR OPTIONS

A - Straight
(Available with "H" Function Only)

SWITCH FUNCTION	
POS. 1	POS. 2
ON	(ON)
1-3, 2-4	1-5, 2-6

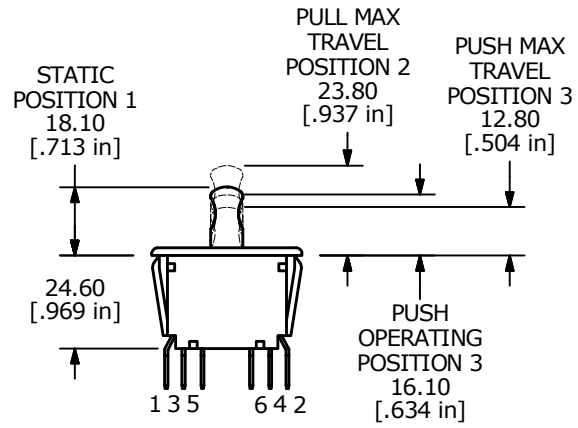
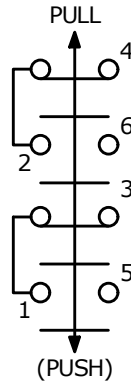
(ON)=MOMENTARY



B - Push-Pull
(Available with "U" Function Only)

SWITCH FUNCTION		
POS. 1	POS. 2	POS. 3
ON	ON	(ON)
1-3, 2-4	1-5, 2-6	1-5, 2-6

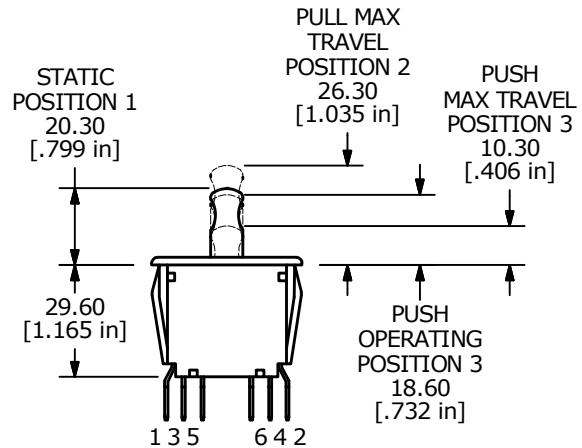
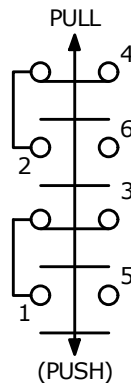
(ON)=MOMENTARY



C - Push-Pull
(Available with "U" Function Only)

SWITCH FUNCTION		
POS. 1	POS. 2	POS. 3
ON	ON	(ON)
1-3, 2-4	1-5, 2-6	1-5, 2-6

(ON)=MOMENTARY



D - Short
(Available with "H" Function Only)

SWITCH FUNCTION	
POS. 1	POS. 2
ON	(ON)
1-3, 2-4	1-5, 2-6

(ON)=MOMENTARY

